

PARTS LIST

CAUTION

- The parts identified by the \triangle symbol are important for the safety. Whenever replacing these parts, be sure to use specified ones to secure the safety .
- The parts not indicated in this Parts List and those which are filled with lines — in the Parts No. columns will not be supplied.
- P. W. Board Ass'y will not be supplied, but those which are filled with the Parts No. in the Parts No. columns will be supplied.

ABBREVIATIONS OF RESISTORS, CAPACITORS AND TOLERANCES

| RESISTORS | | CAPACITORS | |
|-----------|--|-----------------|---|
| C R | Carbon Resistor | C CAP. | Ceramic Capacitor |
| F R | Fusible Resistor | E CAP. | Electrolytic Capacitor |
| P R | Plate Resistor | M CAP. | Mylar Capacitor |
| V R | Variable Resistor | HV CAP. | High Voltage Capacitor |
| HV R | High Voltage Resistor | MF CAP. | Metalized Film Capacitor |
| MF R | Metal Film Resistor | MM CAP. | Metalized Mylar Capacitor |
| MG R | Metal Glazed Resistor | MP CAP. | Metalized Polystyrol Capacitor |
| MP R | Metal Plate Resistor | PP CAP. | Polypropylene Capacitor |
| OM R | Metal Oxide Film Resistor | PS CAP. | Polystyrol Capacitor |
| CMF R | Coating Metal Film Resistor | TF CAP. | Thin Film Capacitor |
| UNF R | Non-Flammable Resistor | MPP CAP. | Metalized Polypropylene Capacitor |
| CH V R | Chip Variable Resistor | TAN. CAP. | Tantalum Capacitor |
| CH MG R | Chip Metal Glazed Resistor | CH C CAP. | Chip Ceramic Capacitor |
| COMP. R | Composition Resistor | BP E CAP. | Bi-Polar Electrolytic Capacitor |
| LPTC R | Linear Positive Temperature Coefficient Resistor | CH AL E CAP. | Chip Aluminum Electrolytic Capacitor |
| | | CH AL BP CAP. | Chip Aluminum Bi-Polar Capacitor |
| | | CH TAN. E CAP. | Chip Tantalum Electrolytic Capacitor |
| | | CH AL BP E CAP. | Chip Tantalum Bi-Polar Electrolytic Capacitor |

| TOLERANCES | | | | | | | | | |
|------------|-----|-----|------|------|------|--------------|--------------|--------------|--------------|
| F | G | J | K | M | N | R | H | Z | P |
| ±1% | ±2% | ±5% | ±10% | ±20% | ±30% | +30% -10% | +50% -10% | +80% -20% | +100% -0% |

CONTENTS

C-20210/s

| | |
|---|----|
| ■ EXPLODED VIEW PARTS LIST | 26 |
| ■ EXPLODED VIEW | 27 |
| ■ PRINTED WIRING BOARD PARTS LIST | |
| ● MAIN PW BOARD ASS'Y (SFV-1062A-M2) [C-20210/S] (With CRT SOCKET PW BOARD) | 28 |
| ■ REMOTE CONTROL UNIT PARTS LIST | 32 |
| ■ PACKING | 33 |
| ■ PACKING PARTS LIST | 33 |

AV-20220/s / AV-20221/s

| | |
|--|----|
| ■ EXPLODED VIEW PARTS LIST | 34 |
| ■ EXPLODED VIEW | 35 |
| ■ PRINTED WIRING BOARD PARTS LIST | |
| ● MAIN PW BOARD ASS'Y (SFV-1063A-M2) [AV-20220/S] (With CRT SOCKET PW BOARD) | 36 |
| ● MAIN PW BOARD ASS'Y (SFV-1064A-M2) [AV-20221/S] (With CRT SOCKET PW BOARD) | 40 |
| ■ REMOTE CONTROL UNIT PARTS LIST | 40 |
| ■ PACKING | 41 |
| ■ PACKING PARTS LIST | 41 |

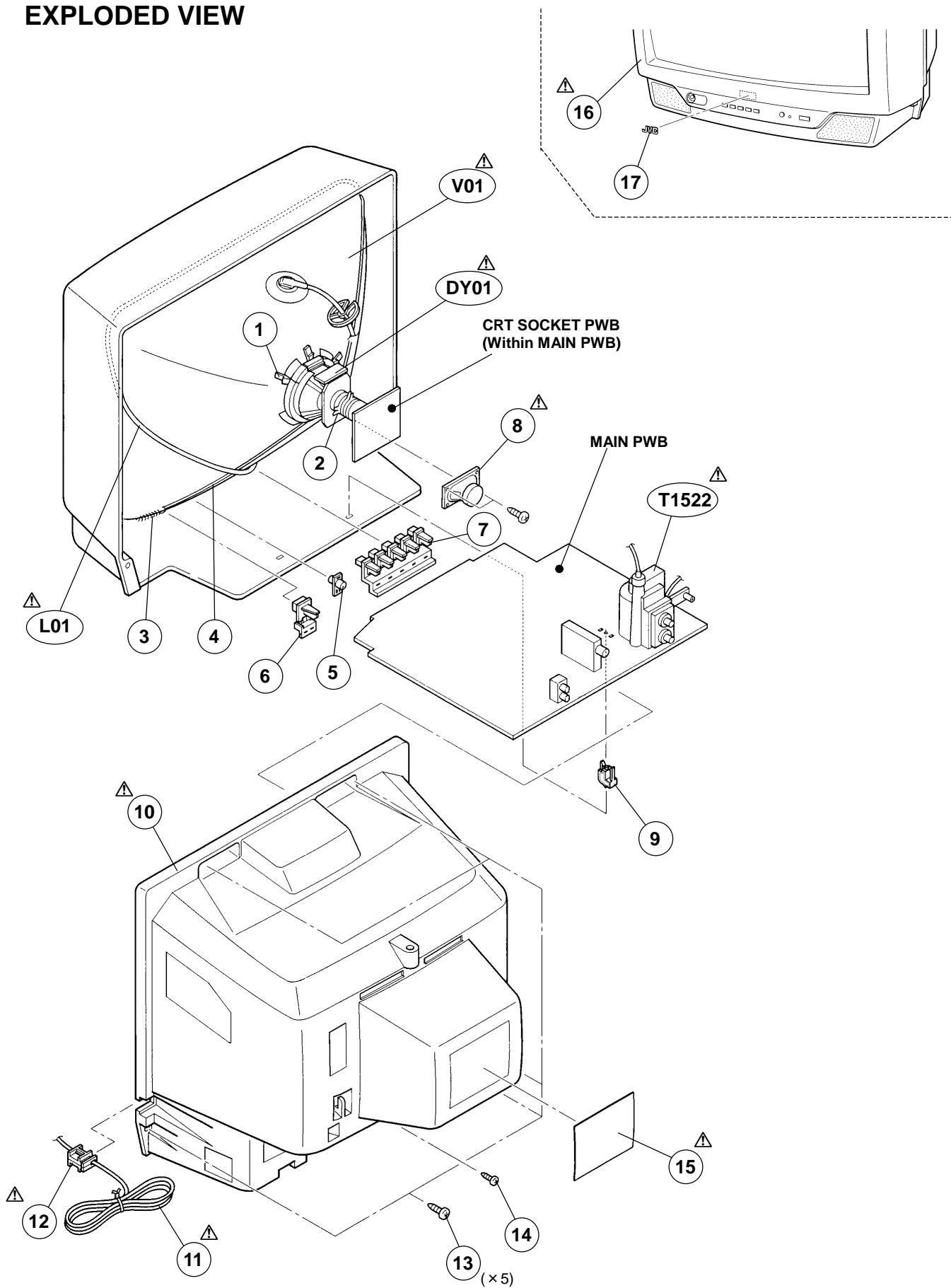
C-20210/s

EXPLODED VIEW PARTS LIST

C-20210/s

| △ Ref.No. | Part No. | Part Name | Description |
|-----------|----------------|---------------|--------------------------|
| △ V01 | A51KRE89X(DT) | PICTURE TUBE | |
| △ DY01 | QQD0011-001 | DEF YOKE | |
| △ L01 | QQW0002-001 | DEG COIL | |
| △ T1522 | QQH0030-002 | H.V. TRANSF. | |
| 1 | CE42153-00AJ1 | WEDGE ASSY | (×4) |
| 2 | CE42378-00B | P.C. MAGNET | |
| 3 | A48457-4-S | SPRING | |
| 4 | CHGB0016-0H | BRAIDED ASSY | |
| 5 | LC30191-001C-A | LENS | |
| 6 | LC30376-001A-A | POWER KNOB | |
| 7 | LC30271-001A-A | PUSH KNOB | |
| △ 8 | CEB5509D-03KJ2 | SPEAKER | SP01 |
| 9 | CM48144-001-A | PB STOPPER | |
| △ 10 | LC10108-002E-A | REAR COVER | |
| △ 11 | QMPD200-200-JC | POWER CORD | CN10PW (Within MAIN PWB) |
| △ 12 | LC20106-001D-A | CORD CLAMP | |
| 13 | QYSB5FG4016Z | TAPPING SCREW | (×5) |
| 14 | QYSB5B3010Z | TAPPING SCREW | |
| △ 15 | LC31139-001A-A | RATING LABEL | |
| △ 16 | LC10109-008A-A | FRONT CABINET | |
| 17 | CM43094-006-H | JVC MARK | |

EXPLODED VIEW



PRINTED WIRING BOARD PARTS LIST

MAIN P.W. BOARD ASS'Y (SFV-1062A-M2) [C-20210/s]

| △ Symbol No. | Part No. | Part Name | Description |
|-----------------|--------------|-----------|---------------|
| RESISTOR | | | |
| R1003-04 | NRSA02J-0ROX | MG R | 0.0Ω 1/10W J |
| R1101 | NRSA02J-820X | MG R | 82Ω 1/10W J |
| R1102 | NRSA02J-562X | MG R | 5.6kΩ 1/10W J |
| R1103 | NRSA02J-182X | MG R | 1.8kΩ 1/10W J |
| R1104 | QRE121J-101Y | C R | 100Ω 1/2W J |
| R1105 | NRSA02J-180X | MG R | 18Ω 1/10W J |
| R1106 | NRSA02J-270X | MG R | 27Ω 1/10W J |
| R1131 | NRSA02J-271X | MG R | 270Ω 1/10W J |
| R1133 | NRSA02J-101X | MG R | 100Ω 1/10W J |
| R1134 | NRSA02J-102X | MG R | 1kΩ 1/10W J |
| R1135 | NRSA02J-561X | MG R | 560Ω 1/10W J |
| R1136 | NRSA02J-182X | MG R | 1.8kΩ 1/10W J |
| R1137 | NRSA02J-152X | MG R | 1.5kΩ 1/10W J |
| R1138 | NRSA02J-821X | MG R | 820Ω 1/10W J |
| R1139 | NRSA02J-0ROX | MG R | 0.0Ω 1/10W J |
| R1142 | NRSA02J-101X | MG R | 100Ω 1/10W J |
| R1145 | NRSA02J-472X | MG R | 4.7kΩ 1/10W J |
| R1146 | NRSA02J-562X | MG R | 5.6kΩ 1/10W J |
| R1161-62 | NRSA02J-102X | MG R | 1kΩ 1/10W J |
| R1164 | NRSA02J-332X | MG R | 3.3kΩ 1/10W J |
| R1165 | NRSA02J-0ROX | MG R | 0.0Ω 1/10W J |
| R1172 | NRSA02J-333X | MG R | 33kΩ 1/10W J |
| R1201 | NRSA02J-0ROX | MG R | 0.0Ω 1/10W J |
| R1203 | NRSA02J-102X | MG R | 1kΩ 1/10W J |
| R1204 | NRSA02J-681X | MG R | 680Ω 1/10W J |
| R1205 | NRSA02J-152X | MG R | 1.5kΩ 1/10W J |
| R1207 | NRSA02J-0ROX | MG R | 0.0Ω 1/10W J |
| R1208 | NRSA02J-472X | MG R | 4.7kΩ 1/10W J |
| R1209 | NRSA02J-471X | MG R | 470Ω 1/10W J |
| R1210 | NRSA02J-392X | MG R | 3.9kΩ 1/10W J |
| R1211 | NRSA02J-471X | MG R | 470Ω 1/10W J |
| R1212 | NRSA02J-103X | MG R | 10kΩ 1/10W J |
| R1215 | NRSA02J-334X | MG R | 330kΩ 1/10W J |
| R1216 | NRSA02J-563X | MG R | 56kΩ 1/10W J |
| R1218 | NRSA02J-182X | MG R | 1.8kΩ 1/10W J |
| R1219 | NRSA02J-122X | MG R | 1.2kΩ 1/10W J |
| R1220 | NRSA02J-561X | MG R | 560Ω 1/10W J |
| R1222 | NRSA02J-102X | MG R | 1kΩ 1/10W J |
| R1251 | NRSA02J-750X | MG R | 75Ω 1/10W J |
| R1252 | NRSA02J-221X | MG R | 220Ω 1/10W J |
| R1253 | NRSA02J-681X | MG R | 680Ω 1/10W J |
| R1261 | NRSA02J-563X | MG R | 56kΩ 1/10W J |
| R1262 | NRSA02J-333X | MG R | 33kΩ 1/10W J |
| R1263 | NRSA02J-101X | MG R | 100Ω 1/10W J |
| R1265 | NRSA02J-102X | MG R | 1kΩ 1/10W J |
| R1266 | NRSA02J-681X | MG R | 680Ω 1/10W J |
| R1267 | NRSA02J-331X | MG R | 330Ω 1/10W J |
| R1268 | NRSA02J-101X | MG R | 100Ω 1/10W J |
| R1271 | NRSA02J-471X | MG R | 470Ω 1/10W J |
| R1272 | NRSA02J-152X | MG R | 1.5kΩ 1/10W J |
| R1278 | NRSA02J-152X | MG R | 1.5kΩ 1/10W J |
| R1290 | NRSA02J-563X | MG R | 56kΩ 1/10W J |
| R1291 | NRSA02J-473X | MG R | 47kΩ 1/10W J |
| R1298-99 | NRSA02J-0ROX | MG R | 0.0Ω 1/10W J |
| R1305 | NRSA02J-393X | MG R | 39kΩ 1/10W J |
| R1306 | NRSA02J-183X | MG R | 18kΩ 1/10W J |
| R1351 | NRSA02J-102X | MG R | 1kΩ 1/10W J |
| R1352 | NRSA02J-122X | MG R | 1.2kΩ 1/10W J |
| R1354 | NRSA02J-272X | MG R | 2.7kΩ 1/10W J |
| R1365 | NRSA02J-152X | MG R | 1.5kΩ 1/10W J |
| R1366 | NRSA02J-563X | MG R | 56kΩ 1/10W J |
| R1367 | NRSA02J-333X | MG R | 33kΩ 1/10W J |
| R1371-73 | NRSA02J-151X | MG R | 150Ω 1/10W J |
| R1374-76 | NRSA02J-331X | MG R | 330Ω 1/10W J |
| R1377-79 | NRSA02J-101X | MG R | 100Ω 1/10W J |
| R1380-82 | QRZ0111-152 | C R | 1.5kΩ 1/2W K |
| R1383-85 | QRL029J-123 | OM R | 12kΩ 2W J |
| R1386-88 | NRSA02J-272X | MG R | 2.7kΩ 1/10W J |

| △ Symbol No. | Part No. | Part Name | Description |
|-----------------|---------------|-----------|----------------|
| RESISTOR | | | |
| R1421 | NRSA02J-472X | MG R | 4.7kΩ 1/10W J |
| R1422 | QRE121J-391Y | C R | 390Ω 1/2W J |
| R1423 | QRX01GJ-1R5 | MF R | 1.5Ω 1W J |
| R1425 | NRSA02J-683X | MG R | 68kΩ 1/10W J |
| R1427 | NRSA02J-392X | MG R | 3.9kΩ 1/10W J |
| R1428 | NRSA02J-393X | MG R | 39kΩ 1/10W J |
| R1429 | NRSA02J-223X | MG R | 22kΩ 1/10W J |
| R1430-31 | NRSA02J-0ROX | MG R | 0.0Ω 1/10W J |
| R1441 | QRE121J-102Y | C R | 1kΩ 1/2W J |
| R1501 | NRSA02J-361X | MG R | 360Ω 1/10W J |
| R1502 | NRSA02J-152X | MG R | 1.5kΩ 1/10W J |
| R1504 | NRSA02J-0ROX | MG R | 0.0Ω 1/10W J |
| R1505 | NRSA02J-822X | MG R | 8.2kΩ 1/10W J |
| R1506 | NRSA02J-222X | MG R | 2.2kΩ 1/10W J |
| R1507 | NRSA02J-563X | MG R | 56kΩ 1/10W J |
| R1511 | QRE121J-391Y | C R | 390Ω 1/2W J |
| R1521 | QRE121J-220Y | C R | 22Ω 1/2W J |
| R1522 | NRSA02J-391X | MG R | 390Ω 1/10W J |
| R1523 | NRSA02J-471X | MG R | 470Ω 1/10W J |
| R1524 | QRE121J-271Y | C R | 270Ω 1/2W J |
| R1525 | QRL029J-121 | OM R | 12Ω 2W J |
| R1526 | QRL039J-152 | OM R | 1.5kΩ 3W J |
| R1541 | QRT029J-1R8 | MF R | 1.8Ω 2W J |
| R1542 | QRL029J-101 | OM R | 100Ω 2W J |
| R1543 | QRT039J-1R0 | MF R | 1.0Ω 3W J |
| R1544 | QRT039J-2R2 | MF R | 2.2Ω 3W J |
| R1546 | QRL029J-220 | OM R | 22Ω 2W J |
| R1561 | QRK126J-4R7X | C R | 4.7Ω 1/2W J |
| △ R1562 | NRZ0032-7151X | MF R | 7.15kΩ 1/10W J |
| △ R1563 | NRZ0032-3241X | MF R | 3.24kΩ 1/10W J |
| R1564 | NRSA02J-153X | MG R | 15kΩ 1/10W J |
| R1565 | NRSA02J-0ROX | MG R | 0.0Ω 1/10W J |
| R1566 | NRSA02J-333X | MG R | 33kΩ 1/10W J |
| R1567 | NRSA02J-392X | MG R | 3.9kΩ 1/10W J |
| R1568 | NRSA02J-223X | MG R | 22kΩ 1/10W J |
| R1571 | QRX01GJ-1R2 | MF R | 1.2Ω 1W J |
| R1581 | QRJ146J-2R2X | C R | 2.2Ω 1/4W J |
| R1582 | QRL029J-223 | OM R | 22kΩ 2W J |
| R1583 | QRE121J-333Y | C R | 33kΩ 1/2W J |
| R1584 | QRE121J-393Y | C R | 39kΩ 1/2W J |
| R1585 | QRE121J-103Y | C R | 10kΩ 1/2W J |
| R1586 | QRE121J-472Y | C R | 4.7kΩ 1/2W J |
| R1611 | NRSA02J-153X | MG R | 15kΩ 1/10W J |
| R1612 | NRSA02J-333X | MG R | 33kΩ 1/10W J |
| R1613 | NRSA02J-272X | MG R | 2.7kΩ 1/10W J |
| R1628 | QRE121J-271Y | C R | 270Ω 1/2W J |
| R1689 | NRSA02J-102X | MG R | 1kΩ 1/10W J |
| R1701 | NRSA02J-563X | MG R | 56kΩ 1/10W J |
| R1702 | NRSA02J-103X | MG R | 10kΩ 1/10W J |
| R1703 | NRSA02J-0ROX | MG R | 0.0Ω 1/10W J |
| R1704 | NRSA02J-103X | MG R | 10kΩ 1/10W J |
| R1705 | NRSA02J-823X | MG R | 82kΩ 1/10W J |
| R1706 | NRSA02J-103X | MG R | 10kΩ 1/10W J |
| R1707 | NRSA02J-0ROX | MG R | 0.0Ω 1/10W J |
| R1708-09 | NRSA02J-103X | MG R | 10kΩ 1/10W J |
| R1710 | NRSA02J-102X | MG R | 1kΩ 1/10W J |
| R1712 | NRSA02J-0ROX | MG R | 0.0Ω 1/10W J |
| R1713 | NRSA02J-102X | MG R | 1kΩ 1/10W J |
| R1714 | NRSA02J-471X | MG R | 470Ω 1/10W J |
| R1715 | NRSA02J-105X | MG R | 1MΩ 1/10W J |
| R1716 | NRSA02J-154X | MG R | 150kΩ 1/10W J |
| R1717 | NRSA02J-563X | MG R | 56kΩ 1/10W J |
| R1719 | NRSA02J-102X | MG R | 1kΩ 1/10W J |
| R1721-22 | NRSA02J-0ROX | MG R | 0.0Ω 1/10W J |
| R1723 | NRSA02J-105X | MG R | 1MΩ 1/10W J |
| R1724 | NRSA02J-102X | MG R | 1kΩ 1/10W J |
| R1725 | NRSA02J-103X | MG R | 10kΩ 1/10W J |
| R1726 | NRSA02J-562X | MG R | 5.6kΩ 1/10W J |

△ Symbol No. Part No. Part Name Description

RESISTOR

| | | | |
|----------|--------------|-------|---------------|
| R1727 | NRSA02J-103X | MG R | 10kΩ 1/10W J |
| R1728 | NRSA02J-562X | MG R | 5.6kΩ 1/10W J |
| R1729 | NRSA02J-153X | MG R | 15kΩ 1/10W J |
| R1730 | NRSA02J-682X | MG R | 6.8kΩ 1/10W J |
| R1731 | NRSA02J-0R0X | MG R | 0.0Ω 1/10W J |
| R1732 | NRSA02J-102X | MG R | 1kΩ 1/10W J |
| R1734 | NRSA02J-182X | MG R | 1.8kΩ 1/10W J |
| R1735 | NRSA02J-102X | MG R | 1kΩ 1/10W J |
| R1736 | NRSA02J-332X | MG R | 3.3kΩ 1/10W J |
| R1737 | NRSA02J-472X | MG R | 4.7kΩ 1/10W J |
| R1738 | NRSA02J-152X | MG R | 1.5kΩ 1/10W J |
| R1739 | NRSA02J-472X | MG R | 4.7kΩ 1/10W J |
| R1740 | NRSA02J-152X | MG R | 1.5kΩ 1/10W J |
| R1741 | NRSA02J-472X | MG R | 4.7kΩ 1/10W J |
| R1742 | NRSA02J-152X | MG R | 1.5kΩ 1/10W J |
| R1743-44 | NRSA02J-0R0X | MG R | 0.0Ω 1/10W J |
| R1745-46 | NRSA02J-561X | MG R | 560Ω 1/10W J |
| R1747 | NRSA02J-0R0X | MG R | 0.0Ω 1/10W J |
| R1751 | NRSA02J-103X | MG R | 10kΩ 1/10W J |
| R1752 | NRSA02J-472X | MG R | 4.7kΩ 1/10W J |
| R1753 | NRSA02J-153X | MG R | 15kΩ 1/10W J |
| R1754 | NRSA02J-103X | MG R | 10kΩ 1/10W J |
| R1755 | NRSA02J-472X | MG R | 4.7kΩ 1/10W J |
| R1756 | NRSA02J-153X | MG R | 15kΩ 1/10W J |
| R1757-58 | NRSA02J-122X | MG R | 1.2kΩ 1/10W J |
| R1759 | NRSA02J-0R0X | MG R | 0.0Ω 1/10W J |
| R1765-66 | NRSA02J-0R0X | MG R | 0.0Ω 1/10W J |
| R1767 | NRSA02J-474X | MG R | 470kΩ 1/10W J |
| R1768 | NRSA02J-473X | MG R | 47kΩ 1/10W J |
| R1769 | NRSA02J-102X | MG R | 1kΩ 1/10W J |
| R1771 | NRSA02J-0R0X | MG R | 0.0Ω 1/10W J |
| R1804-06 | NRSA02J-101X | MG R | 100Ω 1/10W J |
| △ R1901 | QRFO54K-1R0 | UNF R | 1.0 Ω 5W K |
| △ R1921 | QRX029J-2R7 | MF R | 2.7 Ω 2W J |
| R1923 | QRJ146J-470X | C R | 47Ω 1/4W J |
| R1924 | QRN141J-334Y | C R | 330kΩ 1/4W J |
| R1925 | QRN141J-123Y | C R | 12kΩ 1/4W J |
| △ R1926 | QRF154J-271 | UNF R | 270 Ω 15W J |
| R1952 | NRSA02J-222X | MG R | 2.2kΩ 1/10W J |
| R1953 | NRSA02J-122X | MG R | 1.2kΩ 1/10W J |
| R1954 | QRE121J-102Y | C R | 1kΩ 1/2W J |
| R1955 | NRSA02J-223X | MG R | 22kΩ 1/10W J |
| R1956 | QRE121J-101Y | C R | 100Ω 1/2W J |
| R1957 | NRSA02J-222X | MG R | 2.2kΩ 1/10W J |
| R1958 | NRSA02J-103X | MG R | 10kΩ 1/10W J |
| △ R1981 | QRZ9041-275 | C R | 2.7M 1/2W K |

CAPACITOR

| | | | |
|----------|--------------|-----------|--------------|
| C1001 | QETN1HM-106Z | E CAP. | 10μF 50V M |
| C1003 | QETN1AM-477Z | E CAP. | 470μF 10V M |
| C1004 | QETN1HM-106Z | E CAP. | 10μF 50V M |
| C1005 | NCB21HK-103X | C CAP. | 0.01μF 50V K |
| C1006 | QETN1EM-476Z | E CAP. | 47μF 25V M |
| C1011-12 | NCB21HK-102X | C CAP. | 1000pF 50V K |
| C1013 | NCB21HK-104X | CHIP CAP. | 0.1μF 50V K |
| C1101-04 | NCB21HK-103X | C CAP. | 0.01μF 50V K |
| C1105 | QETN1CM-107Z | E CAP. | 100μF 16V M |
| C1106 | NCB21HK-103X | C CAP. | 0.01μF 50V K |
| C1107 | NRSA02J-0R0X | MG R | 0.0Ω 1/10W J |
| C1108 | NDC21HJ-680X | C CAP. | 68pF 50V J |
| C1131 | QFV71HJ-154Z | MF CAP. | 0.15μF 50V J |
| C1132 | NCB21HK-152X | C CAP. | 1500pF 50V K |
| C1133 | QETN1HM-474Z | E CAP. | 0.47μF 50V M |
| C1134 | NCB21HK-102X | C CAP. | 1000pF 50V K |
| C1135 | NCB21HK-103X | C CAP. | 0.01μF 50V K |
| C1138 | QETN1EM-476Z | E CAP. | 47μF 25V M |
| C1161 | QETN1CM-107Z | E CAP. | 100μF 16V M |
| C1162 | NCB21HK-103X | C CAP. | 0.01μF 50V K |
| C1163-64 | NDC21HJ-470X | C CAP. | 47pF 50V J |
| C1166 | NCB21HK-103X | C CAP. | 0.01μF 50V K |
| C1167 | NCB21HK-392X | C CAP. | 3900pF 50V K |
| C1168 | QETN1HM-106Z | E CAP. | 10μF 50V M |

△ Symbol No. Part No. Part Name Description

CAPACITOR

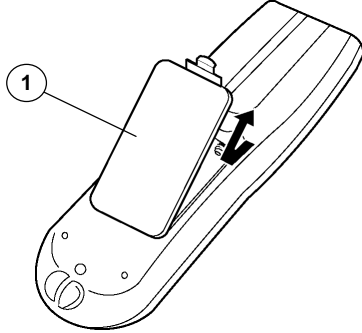
| | | | |
|----------|--------------|-----------|-------------------|
| C1169 | NCB21HK-103X | C CAP. | 0.01μF 50V K |
| C1171 | QETN1HM-105Z | E CAP. | 1μF 50V M |
| C1172 | NCB21HK-102X | C CAP. | 1000pF 50V K |
| C1205 | NDC21HJ-680X | C CAP. | 68pF 50V J |
| C1207 | QETN1HM-474Z | E CAP. | 0.47μF 50V M |
| C1208 | QETN1HM-106Z | E CAP. | 10μF 50V M |
| C1209-10 | QETN1HM-105Z | E CAP. | 1μF 50V M |
| C1212 | NCB21HK-104X | CHIP CAP. | 0.1μF 50V K |
| C1214 | QETN1HM-106Z | E CAP. | 10μF 50V M |
| C1215 | QETN1HM-105Z | E CAP. | 1μF 50V M |
| C1217 | QETN1EM-476Z | E CAP. | 47μF 25V M |
| C1251 | NCB21HK-104X | CHIP CAP. | 0.1μF 50V K |
| C1255 | QETN1HM-106Z | E CAP. | 10μF 50V M |
| C1261 | QENC1CM-476Z | BP E CAP. | 47μF 16V M |
| C1274 | QETN1HM-105Z | E CAP. | 1μF 50V M |
| C1303 | NCB21HK-103X | C CAP. | 0.01μF 50V K |
| C1304 | QETN1CM-107Z | E CAP. | 100μF 16V M |
| C1305 | NDC21HJ-100X | C CAP. | 10pF 50V J |
| C1306 | NCB21HK-223X | C CAP. | 0.022μF 50V K |
| C1307 | QETN1HM-474Z | E CAP. | 0.47μF 50V M |
| C1309 | NDC21HJ-2R0X | C CAP. | 2.0pF 50V J |
| C1352 | NDC21HJ-680X | C CAP. | 68pF 50V J |
| C1353 | NRSA02J-0R0X | MG R | 0.0Ω 1/10W J |
| C1355 | NDC21HJ-150X | C CAP. | 15pF 50V J |
| C1356 | NCB21HK-103X | C CAP. | 0.01μF 50V K |
| C1374-75 | NCS21HJ-271X | C CAP. | 270pF 50V J |
| C1376 | NCS21HJ-331X | C CAP. | 330pF 50V J |
| C1377 | QETN1CM-107Z | E CAP. | 100μF 16V M |
| △ C1391 | QETM2EM-336 | E CAP. | 33μF 250V M |
| C1392 | QCZ0121-102 | C CAP. | 1000pF 3kV Z |
| C1401 | QETN1HM-225Z | E CAP. | 2.2μF 50V M |
| C1402 | QBHC1CK-225Z | TAN. CAP. | 2.2μF 16V K |
| C1403 | NCB21HK-102X | C CAP. | 1000pF 50V K |
| C1421 | NCB21HK-103X | C CAP. | 0.01μF 50V K |
| C1422 | QCS32HJ-560Z | C CAP. | 56pF 500V J |
| C1423 | QCS32HJ-180Z | C CAP. | 18pF 500V J |
| C1424 | QETN1VM-107Z | E CAP. | 100μF 35V M |
| C1425 | QETN1VM-477Z | E CAP. | 470μF 35V M |
| C1426 | QFLC2AK-104Z | M CAP. | 0.1μF 100V K |
| C1427 | QETN1EM-228 | E CAP. | 2200μF 25V M |
| C1428 | QFV21HJ-474Z | MF CAP. | 0.47μF 50V J |
| C1429 | QFV21HJ-224Z | MF CAP. | 0.22μF 50V J |
| C1501 | QETN1CM-107Z | E CAP. | 100μF 16V M |
| C1502 | QETN1HM-106Z | E CAP. | 10μF 50V M |
| C1503 | NCB21HK-103X | C CAP. | 0.01μF 50V K |
| C1505 | QETN1HM-106Z | E CAP. | 10μF 50V M |
| C1511 | QETN1EM-476Z | E CAP. | 47μF 25V M |
| C1521 | NCB21HK-332X | C CAP. | 3300pF 50V K |
| C1522 | NCB21HK-822X | C CAP. | 8200pF 50V K |
| C1523 | QEM61HK-105Z | E CAP. | 1μF 50V K |
| △ C1524 | QFZ0198-79Z | MPP CAP. | 7900pF1.4kVH±2.5% |
| △ C1525 | QEZO203-107 | E CAP. | 100μF 160V M |
| △ C1526 | QFZO119-534 | MPP CAP. | 0.53μF 200V ±3% |
| C1543 | QETN1VM-477Z | E CAP. | 470μF 35V M |
| C1545 | QETN1CM-227Z | E CAP. | 220μF 16V M |
| C1546 | QETN1CM-477Z | E CAP. | 470μF 16V M |
| C1548 | QETN1CM-227Z | E CAP. | 220μF 16V M |
| △ C1561 | QETN1HM-106Z | E CAP. | 10μF 50V M |
| C1562 | QETN1HM-475Z | E CAP. | 4.7μF 50V M |
| C1563 | NCB21HK-103X | C CAP. | 0.01μF 50V K |
| △ C1581 | QETN2EM-106Z | E CAP. | 10μF 250V M |
| C1582 | NCB21HK-473X | C CAP. | 0.047μF 50V K |
| C1583 | QETN1HM-106Z | E CAP. | 10μF 50V M |
| C1584 | QFLC2AJ-104Z | M CAP. | 0.1μF 100V J |
| C1601 | QETN1HM-474Z | E CAP. | 0.47μF 50V M |
| C1602 | QETN1CM-108Z | E CAP. | 1000pF 16V M |
| C1603 | NCB21HK-103X | C CAP. | 0.01μF 50V K |
| C1604 | QETN1CM-477Z | E CAP. | 470μF 16V M |
| C1611 | QETN1HM-105Z | E CAP. | 1μF 50V M |
| C1691 | QETN1HM-106Z | E CAP. | 10μF 50V M |
| C1702 | NCB21HK-272X | C CAP. | 2700pF 50V K |
| C1704 | NCB21HK-103X | C CAP. | 0.01μF 50V K |
| C1705 | NDC21HJ-151X | C CAP. | 150pF 50V J |

| △ Symbol No. | Part No. | Part Name | Description |
|--------------------|----------------|-------------------|-----------------|
| CAPACITOR | | | |
| C1706 | NCB21HK-104X | CHIP CAP. | 0.1μF 50V K |
| C1707 | QETN1HM-105Z | E CAP. | 1μF 50V M |
| C1708 | NCS21HJ-221X | C CAP. | 220pF 50V J |
| C1709 | NCS21HJ-102X | C CAP. | 1000pF 50V J |
| C1710 | NDC21HJ-681X | C CAP. | 680pF 50V J |
| C1711 | QETN1HM-474Z | E CAP. | 0.47μF 50V M |
| C1712 | NCB21HK-102X | C CAP. | 1000pF 50V K |
| C1714 | NCB21HK-103X | C CAP. | 0.01μF 50V K |
| C1716 | QETN1EM-476Z | E CAP. | 47μF 25V M |
| C1717 | NCB21HK-104X | CHIP CAP. | 0.1μF 50V K |
| C1718 | NCB21HK-103X | C CAP. | 0.01μF 50V K |
| C1719-20 | QETN1CM-107Z | E CAP. | 100μF 16V M |
| C1721 | NCB21HK-104X | CHIP CAP. | 0.1μF 50V K |
| C1722-23 | NDC21HJ-5R0X | C CAP. | 5.0pF 50V J |
| C1724 | NCB21HK-103X | C CAP. | 0.01μF 50V K |
| C1725 | QETN1AM-227Z | E CAP. | 220μF 10V M |
| C1726 | NDC21HJ-470X | C CAP. | 47pF 50V J |
| C1735 | NCB21HK-103X | C CAP. | 0.01μF 50V K |
| C1751 | QETN1EM-476Z | E CAP. | 47μF 25V M |
| C1801-03 | QENC1HM-474Z | BP E CAP. | 0.47μF 50V M |
| △ C1901 | QFZ9040-104 | MF CAP. | 0.1μFAC275V M |
| △ C1902 | QFZ9040-473 | MF CAP. | 0.047μFAC275V M |
| △ C1911 | QCZ9074-472 | C CAP. | 4700pFAC250V M |
| △ C1912 | QCZ9074-472 | C CAP. | 4700pFAC250V M |
| △ C1913 | QCZ9074-472 | C CAP. | 4700pFAC250V M |
| △ C1914 | QEZ0169-337 | E CAP. | 330μF 200V M |
| C1921 | QEHRC2M-335Z | E CAP. | 3.3μF 160V M |
| C1951 | QETN1EM-227Z | E CAP. | 220μF 25V M |
| C1953 | QETN1EM-107Z | E CAP. | 100μF 25V M |
| C1954 | NCB21HK-473X | C CAP. | 0.047μF 50V K |
| C1956 | QETN1HM-106Z | E CAP. | 10μF 50V M |
| C1958 | QETN1EM-107Z | E CAP. | 100μF 25V M |
| C1959 | QETN1HM-226Z | E CAP. | 22μF 50V M |
| △ C1981 | QCZ9074-103 | C CAP. | 0.01μFAC250V M |
| △ C1982 | QCZ9074-103 | C CAP. | 0.01μFAC250V M |
| TRANSFORMER | | | |
| T1131 | QQR0907-001 | I. F. TRANSFORMER | |
| T1161 | CEL1003-109J3 | S. I. F. TRANSF. | |
| △ T1521 | CE41106-00CJ1 | DRIVE TRANSF. | |
| △ T1522 | QQH0030-002 | H. V. TRANSF. | |
| △ T1901 | QQT0198-001 | POWER TRANSF. | |
| COIL | | | |
| L1003 | QQL03BJ-5R6Z | PEAKING COIL | |
| L1102 | QQLZ014-R22 | PEAKING COIL | 0.22μH |
| L1104 | QQL03BJ-680Z | PEAKING COIL | |
| L1131 | QQL03BJ-220Z | PEAKING COIL | |
| L1161 | QQL03BJ-680Z | PEAKING COIL | |
| L1162 | QQL03BJ-220Z | PEAKING COIL | |
| L1201 | QQL03BJ-330Z | PEAKING COIL | 33μH |
| L1351 | QQL03BJ-220Z | PEAKING COIL | |
| L1391 | QQL03BJ-390Z | PEAKING COIL | |
| L1701 | QQL03BJ-4R7Z | PEAKING COIL | |
| L1709 | QQL03BJ-100Z | PEAKING COIL | |
| DIODE | | | |
| D1001 | MTZJ33B-T2 | ZENER DIODE | |
| D1003-04 | MTZJ9.1C-T2 | ZENER DIODE | |
| D1201-03 | 1SS133-T2 | SI. DIODE | |
| D1251 | MTZJ9.1C-T2 | ZENER DIODE | |
| D1421 | 1N4003-T2 | SI. DIODE | |
| D1422 | MTZJ75-T2 | ZENER DIODE | |
| D1423 | 1SS133-T2 | SI. DIODE | |
| D1501 | MTZJ9.1C-T2 | ZENER DIODE | |
| D1511 | MTZJ3.3A-T2 | ZENER DIODE | |
| D1541 | RGPI0J-5025-T3 | SI. DIODE | |
| D1542 | 1SR35-400A-T2 | SI. DIODE | |
| D1543-44 | RGPI0J-5025-T3 | SI. DIODE | |
| D1561 | 1SS81-T2 | SI. DIODE | |
| △ D1562 | MA4068N/Z1/-T2 | ZENER DIODE | |
| D1563 | 1SS133-T2 | SI. DIODE | |

| △ Symbol No. | Part No. | Part Name | Description |
|-------------------|-----------------|--------------------|-----------------|
| DIODE | | | |
| △ D1581 | RH1S-T3 | SI. DIODE | |
| D1582 | RGPI0J-5025-T3 | SI. DIODE | |
| D1583 | MTZJ9.1C-T2 | ZENER DIODE | |
| D1658 | MTZJ9.1C-T2 | ZENER DIODE | |
| D1703 | MTZJ5.6A-T2 | ZENER DIODE | |
| D1704-07 | 1SS133-T2 | SI. DIODE | |
| D1711 | 1SS133-T2 | SI. DIODE | |
| D1717-18 | MTZJ9.1C-T2 | ZENER DIODE | |
| D1751 | SLR-342VR3F | L. E. D. | |
| D1804 | MTZJ5.1B-T2 | ZENER DIODE | |
| D1805 | 1SS133-T2 | SI. DIODE | |
| △ D1911 | D3SB60 | BRIDGE DIODE | |
| D1941-44 | 1SR35-400A-T2 | SI. DIODE | |
| D1951 | MTZJ12C-T2 | ZENER DIODE | |
| D1953 | 1SR35-400A-T2 | SI. DIODE | |
| D1957-58 | 1SS133-T2 | SI. DIODE | |
| TRANSISTOR | | | |
| Q1101 | 2SC5083/L-P/-T | SI. TRANSISTOR | |
| Q1131-32 | 2SC2412K/QR/-X | SI. TRANSISTOR | |
| Q1161 | 2SC2412K/QR/-X | SI. TRANSISTOR | |
| Q1201-03 | 2SC2412K/QR/-X | SI. TRANSISTOR | |
| Q1261 | 2SC2412K/QR/-X | SI. TRANSISTOR | |
| Q1262 | 2SA1037AK/QR/-X | SI. TRANSISTOR | |
| Q1271 | 2SC2412K/QR/-X | SI. TRANSISTOR | |
| Q1361 | 2SC2412K/QR/-X | SI. TRANSISTOR | |
| Q1371-73 | 2SC4544-LB | SI. TRANSISTOR | |
| Q1521 | 2SC2655/Y/-T | SI. TRANSISTOR | |
| △ Q1522 | 2SD1878-YD | SI. TRANSISTOR | H. OUT |
| Q1561 | 2SC2785/JH/-T | SI. TRANSISTOR | |
| Q1562 | 2SA933AS/QR/-T | SI. TRANSISTOR | |
| Q1601 | DTC323TK-X | DIGI. TRANSISTOR | |
| Q1701-03 | 2SC2412K/QR/-X | SI. TRANSISTOR | |
| Q1704 | DTC323TK-X | DIGI. TRANSISTOR | |
| Q1951 | 2SC2412K/QR/-X | SI. TRANSISTOR | |
| Q1952 | 2SA966/OY/-T | SI. TRANSISTOR | |
| Q1953 | 2SC2412K/QR/-X | SI. TRANSISTOR | |
| IC | | | |
| IC1001 | AN7805F | I. C. (MONO-ANA) | |
| IC1201 | TA1242N | I. C. (MONO-ANA) | |
| △ IC1421 | LA7830 | I. C. (MONO-ANA) | |
| IC1541 | AN7809F | I. C. (MONO-ANA) | |
| △ IC1601 | LA4525 | I. C. (MONO-ANA) | |
| IC1701 | M37272MA-053SP | I. C. (MICRO-COMP) | |
| IC1702 | AT24C02-C20110 | I. C. | (SERVICE) |
| IC1703 | L78L05E-MA | I. C. (MONO-ANA) | |
| IC1751 | GP1U281Q | IFR DETECT UNIT | |
| △ IC1921 | STR30134 | I. C. (H) | |
| IC1951 | TA78L009AP-T | I. C. (MONO-ANA) | |
| OTHERS | | | |
| CF1001 | LC30190-001B-A | LED HOLDER | |
| CF1131 | QAX0349-001 | CERAMIC FILTER | |
| CF1161 | CE41505-001 | CERAMIC FILTER | |
| CF1501 | SFSH4.5MBC | CERAMIC FILTER | |
| CF1701 | CSB503F30-T2 | CER. RESONATOR | |
| CF1702 | CST8.00MTW | CER. RESONATOR | |
| CL1001 | QAX0428-001 | CER. RESONATOR | |
| CL1001 | QZW0028-002 | WIRE CLAMP | |
| CL1003 | QZW0028-001 | WIRE CLAMP | |
| △ CN10PW | QMPD200-200-JC | POWER CORD | (Charcoal type) |
| △ F1901 | QMF0007-6R3J1 | FUSE | 6.3A |
| △ F1902 | QMF0007-1R25J1 | FUSE | 1.25A |
| FC1901 | CEMG002-001Z | FUSE CLIP | (x2) |
| FC1902 | CEMG002-001Z | FUSE CLIP | (x4) |
| △ FR1720 | QRZ9017-820 | F R | 82 Ω 1/4W J |
| J1002 | QNN0348-002 | PIN JACK | |
| J1602 | QNS0155-001 | JACK | |
| K1701 | QQR0582-001Z | BEADS CORE | |
| △ LF1901 | QQR0864-002 | LINE FILTER | |
| △ RY1901 | QSK0083-001 | RELAY | |
| S1751 | QSW0619-003Z | PUSH SWITCH | MENU |

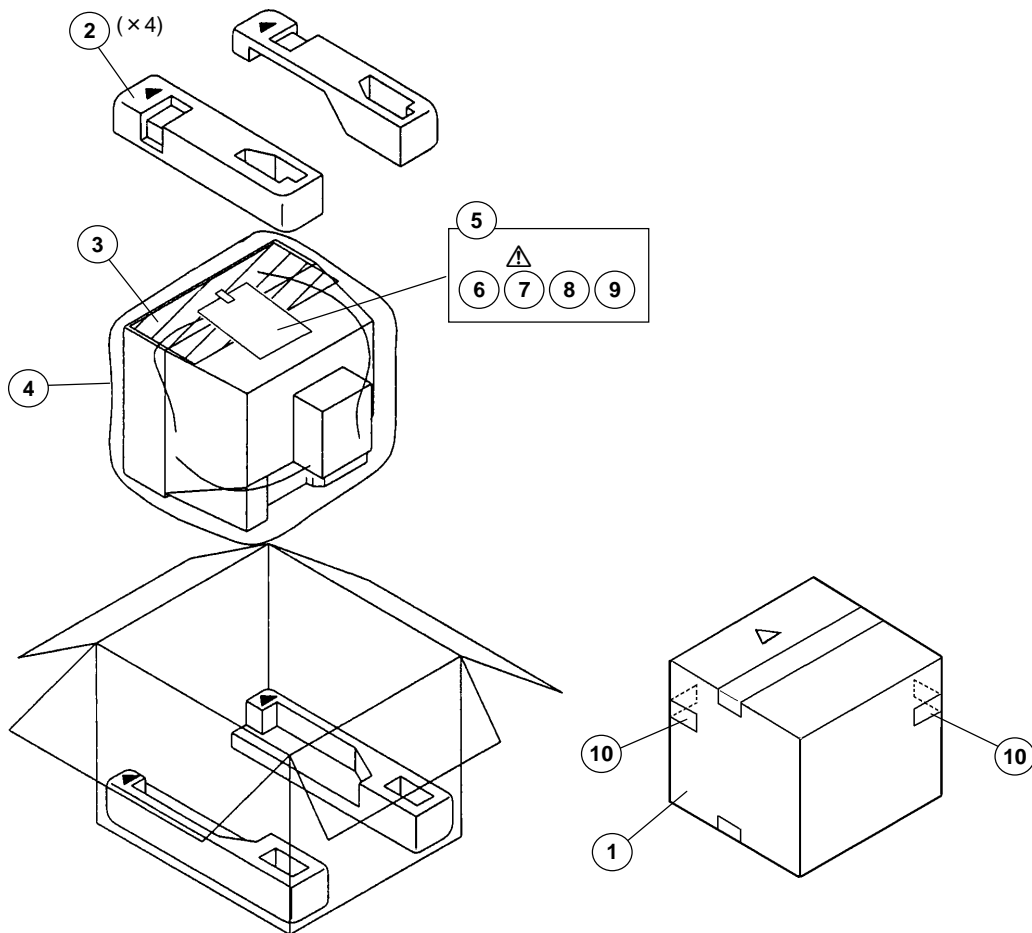
| Symbol No. | Part No. | Part Name | Description |
|---------------|---------------|-----------------|-------------|
| OTHERS | | | |
| S1752 | QSW0619-003Z | PUSH SWITCH | CH- |
| S1753 | QSW0619-003Z | PUSH SWITCH | CH+ |
| S1754 | QSW0619-003Z | PUSH SWITCH | VOL- |
| S1755 | QSW0619-003Z | PUSH SWITCH | VOL+ |
| △ S1756 | QSW0619-003Z | PUSH SWITCH | POWER |
| SF1101 | CE42589-201 | SAW FILTER | |
| △ SK1371 | CE42535-001J1 | C. R. T. SOCKET | |
| △ TH1901 | CEKP007-002 | P. THERMISTOR | |
| △ TU1001 | QAU0199-001 | TUNER | |
| △ VA1901 | ERZV10V361CS | VARISTOR | |
| X1301 | QAX0310-001Z | CRYSTAL | |

REMOTE CONTROL UNIT PARTS LIST (RM-C205-1C)



| C-20210/S Charcoal Model | | | |
|---------------------------------|-----------------|-------------------|--------------------|
| △ Ref.No. | Part No. | Part Name. | Description |
| 1 | 511A24001 | BATTERY COVER | (RM-C205-1C) |

PACKING



PACKING PARTS LIST

| △ Ref.No. | Part No. | Part Name | Description |
|-----------|----------------|---------------|--------------|
| 1 | GQ10009-010A-A | PACKING CASE | |
| 2 | LC10116-002A-A | CUSHION ASSY | 4pcs in 1set |
| 3 | CP30055-001-A | TOP COVER | |
| 4 | CP30056-009-A | POLY BAG | |
| 5 | QPA02503505 | POLY BAG | |
| 6 | RM-C205-1C | REMOCON UNIT | |
| △ 7 | LCT0948-001A-A | INST. BOOK | |
| 8 | BT-51020-1Q | REGISTER CARD | |
| 9 | BT-52004-1Q | WARRANTY CARD | |
| 10 | CM36616-001-A | CORNER LABEL | 2pcs in 1set |

AV-20220/s / AV-20221/s

EXPLODED VIEW PARTS LIST

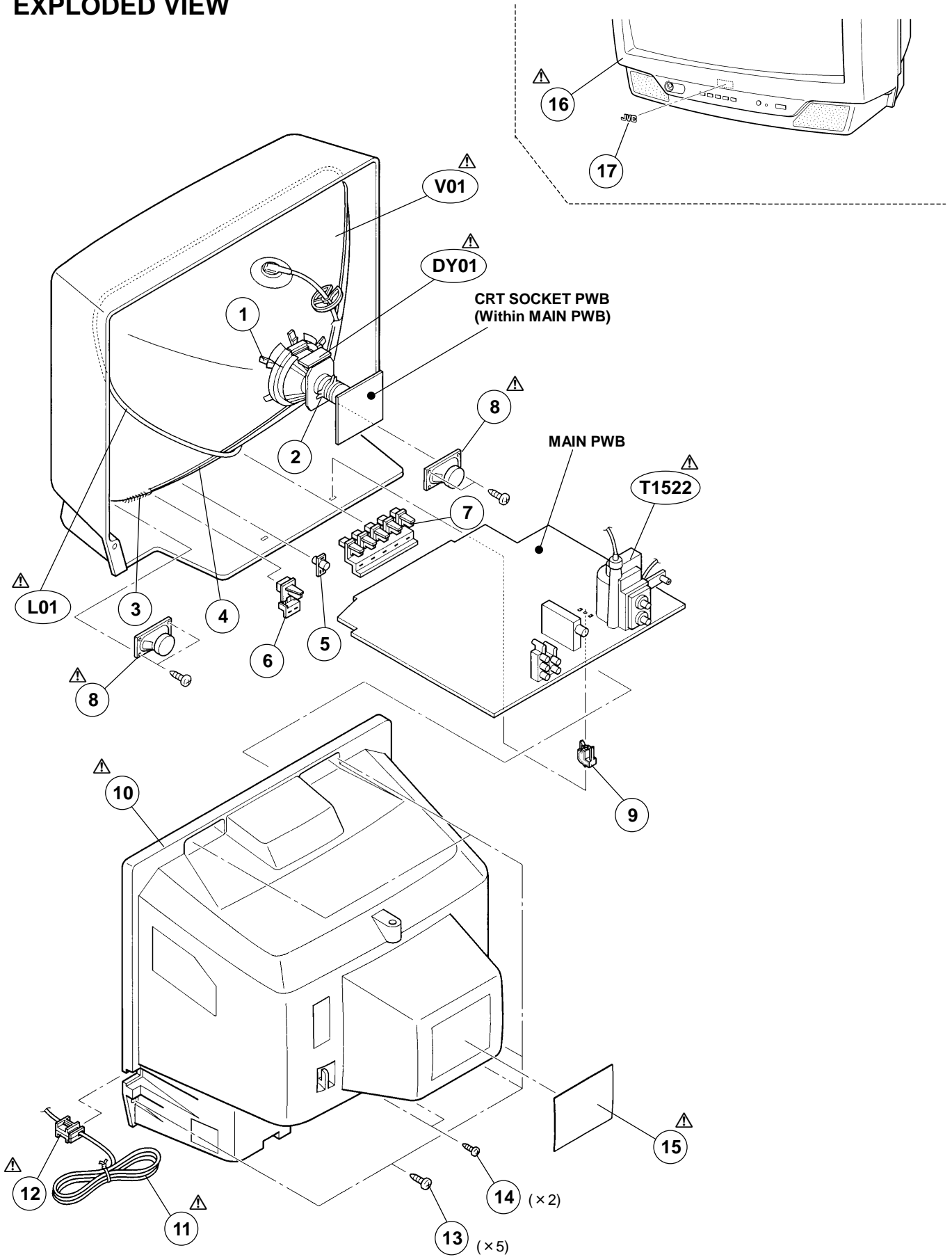
AV-20220/s Charcoal Model

| △ Ref.No. | Part No. | Part Name | Description |
|-----------|----------------|------------------|--------------------------|
| △ V01 | A51KRE89X(DT) | PICTURE TUBE | |
| △ DY01 | QQD0011-001 | DEF YOKE | |
| △ L01 | QQW0002-001 | DEG COIL | |
| △ T1522 | QQH0030-002 | H.V.TRANSF. | |
| 1 | CE42153-00AJ1 | WEDGE ASSY | (×4) |
| 2 | CE42378-00B | P.C.MAGNET | |
| 3 | A48457-4-S | SPRING | |
| 4 | CHGB0016-0H | BRAIDED ASSY | |
| 5 | LC30191-001C-A | LENS | |
| 6 | LC30376-001A-A | POWER KNOB | |
| 7 | LC30271-001A-A | PUSH KNOB | |
| △ 8 | CEBSS09D-03KJ2 | SPEAKER | (×2)SP01,SP02 |
| 9 | CM48144-001-A | PB STOPPER | |
| △ 10 | LC10108-001E-A | REAR COVER | |
| △ 11 | QMPD200-200-JC | POWER CORD | CN10PW (Within MAIN PWB) |
| △ 12 | LC20106-001D-A | POWER CORD CLAMP | |
| 13 | QYSB5FG4016Z | TAPPING SCREW | (×5) |
| 14 | QYSBSB3010Z | TAPPING SCREW | (×2) |
| △ 15 | LC31139-001A-A | RATING LABEL | |
| △ 16 | LC10109-016A-A | FRONT CABINET | |
| 17 | CM43094-006-H | JVC MARK | |

AV-20221/s White Model

| △ Ref.No. | Part No. | Part Name | Description |
|-----------|----------------|------------------|--------------------------|
| △ V01 | A51KRE89X(DT) | PICTURE TUBE | |
| △ DY01 | QQD0011-001 | DEF YOKE | |
| △ L01 | QQW0002-001 | DEG COIL | |
| △ T1522 | QQH0030-002 | H.V.TRANSF. | |
| 1 | CE42153-00AJ1 | WEDGE ASSY | (×4) |
| 2 | CE42378-00B | P.C.MAGNET | |
| 3 | A48457-4-S | SPRING | |
| 4 | CHGB0016-0H | BRAIDED ASSY | |
| 5 | LC30191-001C-A | LENS | |
| 6 | LC30376-002A-A | POWER KNOB | |
| 7 | LC30271-002A-A | PUSH KNOB | |
| △ 8 | CEBSS09D-03KJ2 | SPEAKER | (×2)SP01,SP02 |
| 9 | CM48144-001-A | PB STOPPER | |
| △ 10 | LC10108-003D-A | REAR COVER | |
| △ 11 | QMPD209-200-JC | POWER CORD | CN10PW (Within MAIN PWB) |
| △ 12 | LC20106-002C-A | POWER CORD CLAMP | |
| 13 | QYSB5FG4016Z | TAPPING SCREW | (×5) |
| 14 | QYSBSB3010Z | TAPPING SCREW | (×2) |
| △ 15 | LC31139-001A-A | RATING LABEL | |
| △ 16 | LC10109-017A-A | FRONT CABINET | |
| 17 | CM43094-006-H | JVC MARK | |

EXPLODED VIEW



PRINTED WIRING BOARD PARTS LIST

MAIN P.W. BOARD ASS'Y (SFV-1063A-M2) [AV-20220/s]

| △ Symbol No. | Part No. | Part Name | Description |
|-----------------|--------------|-----------|---------------|
| RESISTOR | | | |
| R1003-04 | NRSA02J-0ROX | MG R | 0.0Ω 1/10W J |
| R1101 | NRSA02J-820X | MG R | 82Ω 1/10W J |
| R1102 | NRSA02J-562X | MG R | 5.6kΩ 1/10W J |
| R1103 | NRSA02J-182X | MG R | 1.8kΩ 1/10W J |
| R1104 | QRE121J-101Y | C R | 100Ω 1/2W J |
| R1105 | NRSA02J-180X | MG R | 18Ω 1/10W J |
| R1106 | NRSA02J-270X | MG R | 27Ω 1/10W J |
| R1131 | NRSA02J-271X | MG R | 270Ω 1/10W J |
| R1133 | NRSA02J-101X | MG R | 100Ω 1/10W J |
| R1134 | NRSA02J-102X | MG R | 1kΩ 1/10W J |
| R1135 | NRSA02J-561X | MG R | 560Ω 1/10W J |
| R1136 | NRSA02J-821X | MG R | 820Ω 1/10W J |
| R1137 | NRSA02J-152X | MG R | 1.5kΩ 1/10W J |
| R1138 | NRSA02J-821X | MG R | 820Ω 1/10W J |
| R1139 | NRSA02J-0ROX | MG R | 0.0Ω 1/10W J |
| R1142 | NRSA02J-101X | MG R | 100Ω 1/10W J |
| R1145 | NRSA02J-472X | MG R | 4.7kΩ 1/10W J |
| R1146 | NRSA02J-562X | MG R | 5.6kΩ 1/10W J |
| R1161-62 | NRSA02J-102X | MG R | 1kΩ 1/10W J |
| R1163 | NRSA02J-472X | MG R | 4.7kΩ 1/10W J |
| R1164 | NRSA02J-332X | MG R | 3.3kΩ 1/10W J |
| R1165 | NRSA02J-0ROX | MG R | 0.0Ω 1/10W J |
| R1201 | NRSA02J-0ROX | MG R | 0.0Ω 1/10W J |
| R1204 | NRSA02J-0ROX | MG R | 0.0Ω 1/10W J |
| R1205 | NRSA02J-152X | MG R | 1.5kΩ 1/10W J |
| R1207 | NRSA02J-0ROX | MG R | 0.0Ω 1/10W J |
| R1208 | NRSA02J-472X | MG R | 4.7kΩ 1/10W J |
| R1209 | NRSA02J-471X | MG R | 470Ω 1/10W J |
| R1210 | NRSA02J-392X | MG R | 3.9kΩ 1/10W J |
| R1211 | NRSA02J-471X | MG R | 470Ω 1/10W J |
| R1212 | NRSA02J-103X | MG R | 10kΩ 1/10W J |
| R1213 | NRSA02J-391X | MG R | 390Ω 1/10W J |
| R1215 | NRSA02J-334X | MG R | 330kΩ 1/10W J |
| R1216 | NRSA02J-563X | MG R | 56kΩ 1/10W J |
| R1218 | NRSA02J-182X | MG R | 1.8kΩ 1/10W J |
| R1219 | NRSA02J-122X | MG R | 1.2kΩ 1/10W J |
| R1251 | NRSA02J-750X | MG R | 75Ω 1/10W J |
| R1255 | NRSA02J-750X | MG R | 75Ω 1/10W J |
| R1264 | NRSA02J-222X | MG R | 2.2kΩ 1/10W J |
| R1265 | NRSA02J-0ROX | MG R | 0.0Ω 1/10W J |
| R1266 | NRSA02J-152X | MG R | 1.5kΩ 1/10W J |
| R1267 | NRSA02J-0ROX | MG R | 0.0Ω 1/10W J |
| R1271-72 | NRSA02J-102X | MG R | 1kΩ 1/10W J |
| R1278 | NRSA02J-152X | MG R | 1.5kΩ 1/10W J |
| R1290 | NRSA02J-563X | MG R | 56kΩ 1/10W J |
| R1291 | NRSA02J-473X | MG R | 47kΩ 1/10W J |
| R1298-99 | NRSA02J-0ROX | MG R | 0.0Ω 1/10W J |
| R1305 | NRSA02J-393X | MG R | 39kΩ 1/10W J |
| R1306 | NRSA02J-183X | MG R | 18kΩ 1/10W J |
| R1351 | NRSA02J-152X | MG R | 1.5kΩ 1/10W J |
| R1352 | NRSA02J-102X | MG R | 1kΩ 1/10W J |
| R1354 | NRSA02J-272X | MG R | 2.7kΩ 1/10W J |
| R1365 | NRSA02J-152X | MG R | 1.5kΩ 1/10W J |
| R1366 | NRSA02J-563X | MG R | 56kΩ 1/10W J |
| R1367 | NRSA02J-333X | MG R | 33kΩ 1/10W J |
| R1371-73 | NRSA02J-151X | MG R | 150Ω 1/10W J |
| R1374-76 | NRSA02J-331X | MG R | 330Ω 1/10W J |
| R1377-79 | NRSA02J-101X | MG R | 100Ω 1/10W J |
| R1380-82 | QRZ0111-152 | C R | 1.5kΩ 1/2W K |
| R1383-85 | QRL029J-123 | OM R | 12kΩ 2W J |
| R1386-88 | NRSA02J-272X | MG R | 2.7kΩ 1/10W J |
| R1421 | NRSA02J-472X | MG R | 4.7kΩ 1/10W J |
| R1422 | QRE121J-391Y | C R | 390Ω 1/2W J |
| R1423 | QRX016J-1R5 | MF R | 1.5Ω 1W J |
| R1425 | NRSA02J-683X | MG R | 68kΩ 1/10W J |
| R1427 | NRSA02J-392X | MG R | 3.9kΩ 1/10W J |
| R1428 | NRSA02J-393X | MG R | 39kΩ 1/10W J |
| R1429 | NRSA02J-223X | MG R | 22kΩ 1/10W J |
| R1430-31 | NRSA02J-0ROX | MG R | 0.0Ω 1/10W J |
| R1441 | QRE121J-102Y | C R | 1kΩ 1/2W J |

| △ Symbol No. | Part No. | Part Name | Description |
|-----------------|---------------|-----------|----------------|
| RESISTOR | | | |
| R1501 | NRSA02J-361X | MG R | 360Ω 1/10W J |
| R1502 | NRSA02J-152X | MG R | 1.5kΩ 1/10W J |
| R1504 | NRSA02J-0ROX | MG R | 0.0Ω 1/10W J |
| R1505 | NRSA02J-822X | MG R | 8.2kΩ 1/10W J |
| R1506 | NRSA02J-222X | MG R | 2.2kΩ 1/10W J |
| R1507 | NRSA02J-563X | MG R | 56kΩ 1/10W J |
| R1511 | QRE121J-391Y | C R | 390Ω 1/2W J |
| R1521 | QRE121J-220Y | C R | 22Ω 1/2W J |
| R1522 | NRSA02J-391X | MG R | 390Ω 1/10W J |
| R1523 | NRSA02J-471X | MG R | 470Ω 1/10W J |
| R1524 | QRE121J-271Y | C R | 270Ω 1/2W J |
| R1525 | QRL029J-121 | OM R | 120Ω 2W J |
| R1526 | QRL039J-152 | OM R | 1.5kΩ 3W J |
| R1541 | QRT029J-1R8 | MF R | 1.8Ω 2W J |
| R1542 | QRL029J-101 | OM R | 100Ω 2W J |
| R1543 | QRT039J-1R0 | MF R | 1.0Ω 3W J |
| R1544 | QRT039J-2R2 | MF R | 2.2Ω 3W J |
| R1546 | QRL029J-220 | OM R | 22Ω 2W J |
| R1561 | QRK126J-4R7X | C R | 4.7Ω 1/2W J |
| R1562 | NRZ0032-7151X | MF R | 7.15kΩ 1/10W J |
| R1563 | NRZ0032-3241X | MF R | 3.24kΩ 1/10W J |
| R1564 | NRSA02J-153X | MG R | 15kΩ 1/10W J |
| R1565 | NRSA02J-0ROX | MG R | 0.0Ω 1/10W J |
| R1566 | NRSA02J-333X | MG R | 33kΩ 1/10W J |
| R1567 | NRSA02J-392X | MG R | 3.9kΩ 1/10W J |
| R1568 | NRSA02J-223X | MG R | 22kΩ 1/10W J |
| R1571 | QRX016J-1R2 | MF R | 1.2Ω 1W J |
| R1581 | QRJ146J-2R2X | C R | 2.2Ω 1/4W J |
| R1582 | QRL029J-223 | OM R | 22kΩ 2W J |
| R1583 | QRE121J-333Y | C R | 33kΩ 1/2W J |
| R1584 | QRE121J-393Y | C R | 39kΩ 1/2W J |
| R1585 | QRE121J-103Y | C R | 10kΩ 1/2W J |
| R1586 | QRE121J-472Y | C R | 4.7kΩ 1/2W J |
| R1615-16 | NRSA02J-123X | MG R | 12kΩ 1/10W J |
| R1617-18 | NRSA02J-332X | MG R | 3.3kΩ 1/10W J |
| R1619-20 | NRSA02J-561X | MG R | 560Ω 1/10W J |
| R1621-22 | QRE121J-4R7Y | C R | 4.7Ω 1/2W J |
| R1623 | NRSA02J-0ROX | MG R | 0.0Ω 1/10W J |
| R1625 | NRSA02J-333X | MG R | 33kΩ 1/10W J |
| R1627 | NRSA02J-101X | MG R | 100Ω 1/10W J |
| R1628-29 | QRE121J-271Y | C R | 270Ω 1/2W J |
| R1651 | NRSA02J-102X | MG R | 1kΩ 1/10W J |
| R1652-53 | NRSA02J-682X | MG R | 6.8kΩ 1/10W J |
| R1654 | NRSA02J-333X | MG R | 33kΩ 1/10W J |
| R1655 | NRSA02J-332X | MG R | 3.3kΩ 1/10W J |
| R1656 | NRVA02D-152X | MF R | 1.5kΩ 1/10W D |
| R1658 | NRVA02D-153X | MF R | 15kΩ 1/10W D |
| R1660 | NRSA02J-512X | MG R | 5.1kΩ 1/10W J |
| R1661 | NRSA02J-473X | MG R | 47kΩ 1/10W J |
| R1662-65 | NRSA02J-123X | MG R | 12kΩ 1/10W J |
| R1666-67 | NRSA02J-562X | MG R | 5.6kΩ 1/10W J |
| R1668 | NRSA02J-473X | MG R | 47kΩ 1/10W J |
| R1669-70 | NRSA02J-471X | MG R | 470Ω 1/10W J |
| R1671-72 | NRSA02J-102X | MG R | 1kΩ 1/10W J |
| R1673-74 | NRSA02J-823X | MG R | 82kΩ 1/10W J |
| R1675-76 | NRSA02J-181X | MG R | 180Ω 1/10W J |
| R1677 | NRSA02J-0ROX | MG R | 0.0Ω 1/10W J |
| R1678-81 | NRSA02J-223X | MG R | 22kΩ 1/10W J |
| R1682 | NRSA02J-683X | MG R | 68kΩ 1/10W J |
| R1683-84 | NRSA02J-561X | MG R | 560Ω 1/10W J |
| R1685-86 | NRSA02J-0ROX | MG R | 0.0Ω 1/10W J |
| R1687-88 | NRSA02J-102X | MG R | 1kΩ 1/10W J |
| R1691 | NRSA02J-563X | MG R | 56kΩ 1/10W J |
| R1701 | NRSA02J-563X | MG R | 56kΩ 1/10W J |
| R1702 | NRSA02J-103X | MG R | 10kΩ 1/10W J |
| R1703 | NRSA02J-0ROX | MG R | 0.0Ω 1/10W J |
| R1704 | NRSA02J-103X | MG R | 10kΩ 1/10W J |
| R1705 | NRSA02J-823X | MG R | 82kΩ 1/10W J |
| R1706 | NRSA02J-103X | MG R | 10kΩ 1/10W J |
| R1707 | NRSA02J-0ROX | MG R | 0.0Ω 1/10W J |

| Symbol No. | Part No. | Part Name | Description |
|------------------|--------------|-----------|---------------|
| RESISTOR | | | |
| R1708-09 | NRSA02J-103X | MG R | 10kΩ 1/10W J |
| R1710 | NRSA02J-102X | MG R | 1kΩ 1/10W J |
| R1712 | NRSA02J-0R0X | MG R | 0.0Ω 1/10W J |
| R1713 | NRSA02J-102X | MG R | 1kΩ 1/10W J |
| R1714 | NRSA02J-471X | MG R | 470Ω 1/10W J |
| R1715 | NRSA02J-105X | MG R | 1MΩ 1/10W J |
| R1716 | NRSA02J-154X | MG R | 150kΩ 1/10W J |
| R1717 | NRSA02J-563X | MG R | 56kΩ 1/10W J |
| R1719 | NRSA02J-102X | MG R | 1kΩ 1/10W J |
| R1721-22 | NRSA02J-0R0X | MG R | 0.0Ω 1/10W J |
| R1723 | NRSA02J-105X | MG R | 1MΩ 1/10W J |
| R1724 | NRSA02J-102X | MG R | 1kΩ 1/10W J |
| R1725 | NRSA02J-103X | MG R | 10kΩ 1/10W J |
| R1726 | NRSA02J-392X | MG R | 3.9kΩ 1/10W J |
| R1727 | NRSA02J-103X | MG R | 10kΩ 1/10W J |
| R1728 | NRSA02J-392X | MG R | 3.9kΩ 1/10W J |
| R1729 | NRSA02J-153X | MG R | 15kΩ 1/10W J |
| R1730 | NRSA02J-682X | MG R | 6.8kΩ 1/10W J |
| R1731 | NRSA02J-0R0X | MG R | 0.0Ω 1/10W J |
| R1732 | NRSA02J-102X | MG R | 1kΩ 1/10W J |
| R1734 | NRSA02J-182X | MG R | 1.8kΩ 1/10W J |
| R1735 | NRSA02J-102X | MG R | 1kΩ 1/10W J |
| R1736 | NRSA02J-332X | MG R | 3.3kΩ 1/10W J |
| R1737 | NRSA02J-472X | MG R | 4.7kΩ 1/10W J |
| R1738 | NRSA02J-152X | MG R | 1.5kΩ 1/10W J |
| R1739 | NRSA02J-472X | MG R | 4.7kΩ 1/10W J |
| R1740 | NRSA02J-152X | MG R | 1.5kΩ 1/10W J |
| R1741 | NRSA02J-472X | MG R | 4.7kΩ 1/10W J |
| R1742 | NRSA02J-152X | MG R | 1.5kΩ 1/10W J |
| R1743-44 | NRSA02J-0R0X | MG R | 0.0Ω 1/10W J |
| R1745-46 | NRSA02J-561X | MG R | 560Ω 1/10W J |
| R1747 | NRSA02J-0R0X | MG R | 0.0Ω 1/10W J |
| R1751 | NRSA02J-103X | MG R | 10kΩ 1/10W J |
| R1752 | NRSA02J-472X | MG R | 4.7kΩ 1/10W J |
| R1753 | NRSA02J-153X | MG R | 15kΩ 1/10W J |
| R1754 | NRSA02J-103X | MG R | 10kΩ 1/10W J |
| R1755 | NRSA02J-472X | MG R | 4.7kΩ 1/10W J |
| R1756 | NRSA02J-153X | MG R | 15kΩ 1/10W J |
| R1757-58 | NRSA02J-122X | MG R | 1.2kΩ 1/10W J |
| R1759 | NRSA02J-0R0X | MG R | 0.0Ω 1/10W J |
| R1765-66 | NRSA02J-0R0X | MG R | 0.0Ω 1/10W J |
| R1767 | NRSA02J-474X | MG R | 470kΩ 1/10W J |
| R1768 | NRSA02J-473X | MG R | 47kΩ 1/10W J |
| R1769 | NRSA02J-102X | MG R | 1kΩ 1/10W J |
| R1771 | NRSA02J-0R0X | MG R | 0.0Ω 1/10W J |
| R1804-06 | NRSA02J-101X | MG R | 100Ω 1/10W J |
| △ R1901 | QRF054K-1R0 | UNF R | 1.0 Ω 5W K |
| △ R1921 | QRX029J-2R7 | MF R | 2.7 Ω 2W J |
| R1923 | QRJ146J-470X | C R | 47Ω 1/4W J |
| R1924 | QRN141J-334Y | C R | 330kΩ 1/4W J |
| R1925 | QRN141J-123Y | C R | 12kΩ 1/4W J |
| △ R1926 | QRF154J-271 | UNF R | 270 Ω 15W J |
| R1952 | NRSA02J-222X | MG R | 2.2kΩ 1/10W J |
| R1953 | NRSA02J-122X | MG R | 1.2kΩ 1/10W J |
| R1954 | QRE121J-102Y | C R | 1kΩ 1/2W J |
| R1955 | NRSA02J-223X | MG R | 22kΩ 1/10W J |
| R1956 | QRE121J-101Y | C R | 100Ω 1/2W J |
| R1957 | NRSA02J-222X | MG R | 2.2kΩ 1/10W J |
| R1958 | NRSA02J-103X | MG R | 10kΩ 1/10W J |
| △ R1981 | QRZ9041-275 | C R | 2.7M 1/2W K |
| CAPACITOR | | | |
| C1001 | QETN1HM-106Z | E CAP. | 10μF 50V M |
| C1003 | QETN1AM-477Z | E CAP. | 470μF 10V M |
| C1004 | QETN1HM-106Z | E CAP. | 10μF 50V M |
| C1005 | NCB21HK-103X | C CAP. | 0.01μF 50V K |
| C1006 | QETN1EM-476Z | E CAP. | 47μF 25V M |
| C1011-12 | NCB21HK-102X | C CAP. | 1000pF 50V K |
| C1013 | NCB21HK-104X | CHIP CAP. | 0.1μF 50V K |
| C1101-04 | NCB21HK-103X | C CAP. | 0.01μF 50V K |

| Symbol No. | Part No. | Part Name | Description |
|------------------|--------------|-----------|---------------------|
| CAPACITOR | | | |
| C1105 | QETN1CM-107Z | E CAP. | 100μF 16V M |
| C1106 | NCB21HK-103X | C CAP. | 0.01μF 50V K |
| C1107 | NRSA02J-0R0X | MG R | 0.0Ω 1/10W J |
| C1108 | NDC21HJ-680X | C CAP. | 68pF 50V J |
| C1131 | QFV71HJ-154Z | MF CAP. | 0.15μF 50V J |
| C1132 | NCB21HK-152X | C CAP. | 1500pF 50V K |
| C1133 | QETN1HM-474Z | E CAP. | 0.47μF 50V M |
| C1134 | NCB21HK-472X | C CAP. | 4700pF 50V K |
| C1135 | NCB21HK-103X | C CAP. | 0.01μF 50V K |
| C1138 | QETN1EM-476Z | E CAP. | 47μF 25V M |
| C1161 | QETN1CM-107Z | E CAP. | 100μF 16V M |
| C1162 | NCB21HK-103X | C CAP. | 0.01μF 50V K |
| C1163-64 | NDC21HJ-470X | C CAP. | 47pF 50V J |
| C1166 | NCB21HK-103X | C CAP. | 0.01μF 50V K |
| C1167 | NDC21HJ-470X | C CAP. | 47pF 50V J |
| C1169-70 | NCB21HK-103X | C CAP. | 0.01μF 50V K |
| C1207 | QETN1HM-474Z | E CAP. | 0.47μF 50V M |
| C1208 | QETN1HM-106Z | E CAP. | 10μF 50V M |
| C1209-10 | QETN1HM-105Z | E CAP. | 1μF 50V M |
| C1212 | NCB21HK-104X | CHIP CAP. | 0.1μF 50V K |
| C1214 | QETN1HM-106Z | E CAP. | 10μF 50V M |
| C1215 | QETN1HM-105Z | E CAP. | 1μF 50V M |
| C1217 | QETN1EM-476Z | E CAP. | 47μF 25V M |
| C1252 | QETN1HM-106Z | E CAP. | 10μF 50V M |
| C1254-55 | QETN1HM-106Z | E CAP. | 10μF 50V M |
| C1274 | QETN1HM-105Z | E CAP. | 1μF 50V M |
| C1303 | NCB21HK-103X | C CAP. | 0.01μF 50V K |
| C1304 | QETN1CM-107Z | E CAP. | 100μF 16V M |
| C1305 | NDC21HJ-100X | C CAP. | 10pF 50V J |
| C1306 | NCB21HK-223X | C CAP. | 0.022μF 50V K |
| C1307 | QETN1HM-474Z | E CAP. | 0.47μF 50V M |
| C1309 | NDC21HJ-2R0X | C CAP. | 2.0pF 50V J |
| C1352 | NDC21HJ-680X | C CAP. | 68pF 50V J |
| C1353 | NRSA02J-0R0X | MG R | 0.0Ω 1/10W J |
| C1355 | NDC21HJ-150X | C CAP. | 15pF 50V J |
| C1356 | NCB21HK-103X | C CAP. | 0.01μF 50V K |
| C1374-75 | NCS21HJ-271X | C CAP. | 270pF 50V J |
| C1376 | NCS21HJ-331X | C CAP. | 330pF 50V J |
| C1377 | QETN1CM-107Z | E CAP. | 100μF 16V M |
| C1391 | QETM2EM-336 | E CAP. | 33μF 250V M |
| △ C1392 | QCZ0121-102 | C CAP. | 1000pF 3kV Z |
| C1401 | QETN1HM-225Z | E CAP. | 2.2μF 50V M |
| C1402 | QBHC1CK-225Z | TAN. CAP. | 2.2μF 16V K |
| C1403 | NCB21HK-102X | C CAP. | 1000pF 50V K |
| C1421 | NCB21HK-103X | C CAP. | 0.01μF 50V K |
| C1422 | QCS32HJ-560Z | C CAP. | 560pF 500V J |
| C1423 | QCS32HJ-180Z | C CAP. | 18pF 500V J |
| C1424 | QETN1VM-107Z | E CAP. | 100μF 35V M |
| C1425 | QETN1VM-477Z | E CAP. | 470μF 35V M |
| C1426 | QFLC2AK-104Z | M CAP. | 0.1μF 100V K |
| C1427 | QETM1EM-228 | E CAP. | 2200μF 25V M |
| C1428 | QFV21HJ-474Z | MF CAP. | 0.47μF 50V J |
| C1429 | QFV21HJ-224Z | MF CAP. | 0.22μF 50V J |
| C1501 | QETN1CM-107Z | E CAP. | 100μF 16V M |
| C1502 | QETN1HM-106Z | E CAP. | 10μF 50V M |
| C1503 | NCB21HK-103X | C CAP. | 0.01μF 50V K |
| C1505 | QETN1HM-106Z | E CAP. | 10μF 50V M |
| C1511 | QETN1EM-476Z | E CAP. | 47μF 25V M |
| C1521 | NCB21HK-332X | C CAP. | 3300pF 50V K |
| C1522 | NCB21HK-822X | C CAP. | 8200pF 50V K |
| C1523 | QEM61HK-105Z | E CAP. | 1μF 50V K |
| △ C1524 | QFZ0198-79Z | MPP CAP. | 7900pF 1.4kVH ±2.5% |
| △ C1525 | QEZ0203-107 | E CAP. | 100μF 160V M |
| △ C1526 | QFZ0119-534 | MPP CAP. | 0.53μF 200V ±3% |
| C1543 | QETN1VM-477Z | E CAP. | 470μF 35V M |
| C1545 | QETN1CM-227Z | E CAP. | 220μF 16V M |
| C1546 | QETN1CM-477Z | E CAP. | 470μF 16V M |
| C1548 | QETN1CM-227Z | E CAP. | 220μF 16V M |
| △ C1561 | QETN1HM-106Z | E CAP. | 10μF 50V M |
| C1562 | QETN1HM-475Z | E CAP. | 4.7μF 50V M |
| C1563 | NCB21HK-103X | C CAP. | 0.01μF 50V K |
| △ C1581 | QETN2EM-106Z | E CAP. | 10μF 250V M |

| Symbol No. | Part No. | Part Name | Description |
|------------------|--------------|-----------|-----------------|
| CAPACITOR | | | |
| C1582 | NCB21HK-473X | C CAP. | 0.047µF 50V K |
| C1583 | QETN1HM-106Z | E CAP. | 10µF 50V M |
| C1584 | QFLC2AJ-104Z | M CAP. | 0.1µF 100V J |
| C1615 | NRSA02J-0R0X | MG R | 0.0Ω 1/10W J |
| C1616 | QENC1HM-474Z | BP E CAP. | 0.47µF 50V M |
| C1617 | QETN1EM-476Z | E CAP. | 47µF 25V M |
| C1618 | QETN1CM-107Z | E CAP. | 100µF 16V M |
| C1619 | QETN1CM-477Z | E CAP. | 470µF 16V M |
| C1620 | NCB21HK-104X | CHIP CAP. | 0.1µF 50V K |
| C1621 | NRSA02J-0R0X | MG R | 0.0Ω 1/10W J |
| C1622 | QENC1HM-474Z | BP E CAP. | 0.47µF 50V M |
| C1623 | QETN1EM-476Z | E CAP. | 47µF 25V M |
| C1624 | QETN1CM-107Z | E CAP. | 100µF 16V M |
| C1625 | QETN1CM-477Z | E CAP. | 470µF 16V M |
| C1626 | NCB21HK-104X | CHIP CAP. | 0.1µF 50V K |
| C1627 | QETN1CM-477Z | E CAP. | 470µF 16V M |
| C1651 | NCB21HK-103X | C CAP. | 0.01µF 50V K |
| C1652 | QETN1CM-107Z | E CAP. | 100µF 16V M |
| C1653 | QETN1EM-476Z | E CAP. | 47µF 25V M |
| C1654 | NCB21HK-104X | CHIP CAP. | 0.1µF 50V K |
| C1655 | QENC1HM-475Z | BP E CAP. | 4.7µF 50V M |
| C1656 | QENC1HM-105Z | BP E CAP. | 1µF 50V M |
| C1657 | QETN1HM-225Z | E CAP. | 2.2µF 50V M |
| C1658 | NCB21HK-473X | C CAP. | 0.047µF 50V K |
| C1659 | QETN1HM-474Z | E CAP. | 0.47µF 50V M |
| C1660-61 | NCB21HK-104X | CHIP CAP. | 0.1µF 50V K |
| C1662 | QBTC1CK-335Z | TAN. CAP. | 3.3µF 16V K |
| C1663 | QETN1HM-105Z | E CAP. | 1µF 50V M |
| C1664 | QBTC1CK-106Z | TAN. CAP. | 10µF 16V K |
| C1665-66 | QETN1HM-105Z | E CAP. | 1µF 50V M |
| C1667 | QETN1HM-336Z | E CAP. | 33µF 50V M |
| C1668 | QETN1HM-105Z | E CAP. | 1µF 50V M |
| C1669-70 | QENC1HM-105Z | BP E CAP. | 1µF 50V M |
| C1671 | QETN1HM-225Z | E CAP. | 2.2µF 50V M |
| C1672 | NCB21HK-222X | C CAP. | 2200pF 50V K |
| C1673 | NCB21HK-104X | CHIP CAP. | 0.1µF 50V K |
| C1674 | QETN1HM-225Z | E CAP. | 2.2µF 50V M |
| C1675 | NCB21HK-222X | C CAP. | 2200pF 50V K |
| C1676 | NCB21HK-104X | CHIP CAP. | 0.1µF 50V K |
| C1679 | QETN1HM-105Z | E CAP. | 1µF 50V M |
| C1680 | QETN1EM-476Z | E CAP. | 47µF 25V M |
| C1682-83 | QETN1HM-474Z | E CAP. | 0.47µF 50V M |
| C1685-86 | QETN1HM-106Z | E CAP. | 10µF 50V M |
| C1687-88 | NCB21HK-472X | C CAP. | 4700pF 50V K |
| C1689-90 | QETN1HM-106Z | E CAP. | 10µF 50V M |
| C1702 | NCB21HK-272X | C CAP. | 2700pF 50V K |
| C1704 | NCB21HK-103X | C CAP. | 0.01µF 50V K |
| C1705 | NDC21HJ-151X | C CAP. | 150pF 50V J |
| C1706 | NCB21HK-104X | CHIP CAP. | 0.1µF 50V K |
| C1707 | QETN1HM-105Z | E CAP. | 1µF 50V M |
| C1708 | NCS21HJ-221X | C CAP. | 220pF 50V J |
| C1709 | NCS21HJ-102X | C CAP. | 1000pF 50V J |
| C1710 | NDC21HJ-681X | C CAP. | 680pF 50V J |
| C1711 | QETN1HM-474Z | E CAP. | 0.47µF 50V M |
| C1712 | NCB21HK-102X | C CAP. | 1000pF 50V K |
| C1714 | NCB21HK-103X | C CAP. | 0.01µF 50V K |
| C1716 | QETN1EM-476Z | E CAP. | 47µF 25V M |
| C1717 | NCB21HK-104X | CHIP CAP. | 0.1µF 50V K |
| C1718 | NCB21HK-103X | C CAP. | 0.01µF 50V K |
| C1719-20 | QETN1CM-107Z | E CAP. | 100µF 16V M |
| C1721 | NCB21HK-104X | CHIP CAP. | 0.1µF 50V K |
| C1722-23 | NDC21HJ-5R0X | C CAP. | 5.0pF 50V J |
| C1724 | NCB21HK-103X | C CAP. | 0.01µF 50V K |
| C1725 | QETN1AM-227Z | E CAP. | 220µF 10V M |
| C1726 | NDC21HJ-470X | C CAP. | 47pF 50V J |
| C1735 | NCB21HK-103X | C CAP. | 0.01µF 50V K |
| C1751 | QETN1EM-476Z | E CAP. | 47µF 25V M |
| C1801-03 | QENC1HM-474Z | BP E CAP. | 0.47µF 50V M |
| △ C1901 | QFZ9040-104 | MF CAP. | 0.1µFAC275V M |
| △ C1902 | QFZ9040-473 | MF CAP. | 0.047µFAC275V M |
| △ C1911 | QCZ9074-472 | C CAP. | 4700pFAC250V M |
| △ C1912 | QCZ9074-472 | C CAP. | 4700pFAC250V M |
| △ C1913 | QCZ9074-472 | C CAP. | 4700pFAC250V M |

| Symbol No. | Part No. | Part Name | Description |
|--------------------|----------------|-------------------|----------------|
| CAPACITOR | | | |
| △ C1914 | QEZ0169-337 | E CAP. | 330µF 200V M |
| C1921 | QHR2CM-335Z | E CAP. | 3.3µF 160V M |
| C1922 | QEHQ2CM-336 | E CAP. | 33µF 160V M |
| C1951 | QETN1EM-227Z | E CAP. | 220µF 25V M |
| C1953 | QETN1EM-107Z | E CAP. | 100µF 25V M |
| C1954 | NCB21HK-473X | C CAP. | 0.047µF 50V K |
| C1956 | QETN1HM-106Z | E CAP. | 10µF 50V M |
| C1958 | QETN1EM-107Z | E CAP. | 100µF 25V M |
| C1959 | QETN1HM-226Z | E CAP. | 22µF 50V M |
| △ C1981 | QCZ9074-103 | C CAP. | 0.01µFAC250V M |
| △ C1982 | QCZ9074-103 | C CAP. | 0.01µFAC250V M |
| TRANSFORMER | | | |
| T1131 | QQR0907-001 | I. F. TRANSFORMER | |
| T1161 | CELTO03-109J3 | S. I. F. TRANSF. | |
| △ T1521 | CE41106-00CJ1 | DRIVE TRANSF. | |
| △ T1522 | QQH0030-002 | H. V. TRANSF. | |
| △ T1901 | QQT0198-001 | POWER TRANSF. | |
| COIL | | | |
| L1003 | QQL03BJ-5R6Z | PEAKING COIL | |
| L1102 | QQLZ014-R22 | PEAKING COIL | 0.22µH |
| L1104 | QQL03BJ-680Z | PEAKING COIL | |
| L1131 | QQL03BJ-220Z | PEAKING COIL | |
| L1161 | QQL03BJ-680Z | PEAKING COIL | |
| L1162 | QQL03BJ-390Z | PEAKING COIL | |
| L1351 | QQL03BJ-220Z | PEAKING COIL | |
| L1391 | QQL03BJ-390Z | PEAKING COIL | |
| L1701 | QQL03BJ-4R7Z | PEAKING COIL | |
| L1709 | QQL03BJ-100Z | PEAKING COIL | |
| DIODE | | | |
| D1001 | MTZJ33B-T2 | ZENER DIODE | |
| D1003-04 | MTZJ9.1C-T2 | ZENER DIODE | |
| D1201-03 | 1SS133-T2 | SI. DIODE | |
| D1251-52 | MTZJ9.1C-T2 | ZENER DIODE | |
| D1254 | MTZJ9.1C-T2 | ZENER DIODE | |
| D1421 | 1N4003-T2 | SI. DIODE | |
| D1422 | MTZJ75-T2 | ZENER DIODE | |
| D1423 | 1SS133-T2 | SI. DIODE | |
| D1501 | MTZJ9.1C-T2 | ZENER DIODE | |
| D1511 | MTZJ3.3A-T2 | ZENER DIODE | |
| D1541 | RGP10J-5025-T3 | SI. DIODE | |
| D1542 | 1SR35-400A-T2 | SI. DIODE | |
| D1543-44 | RGP10J-5025-T3 | SI. DIODE | |
| D1561 | 1SS81-T2 | SI. DIODE | |
| △ D1562 | MA4068N/Z1/-T2 | ZENER DIODE | |
| D1563 | 1SS133-T2 | SI. DIODE | |
| △ D1581 | RH1S-T3 | SI. DIODE | |
| D1582 | RGP10J-5025-T3 | SI. DIODE | |
| D1583 | MTZJ9.1C-T2 | ZENER DIODE | |
| D1601-02 | 1SS133-T2 | SI. DIODE | |
| D1651-52 | MTZJ9.1C-T2 | ZENER DIODE | |
| D1656-57 | MTZJ9.1C-T2 | ZENER DIODE | |
| D1659-60 | MTZJ9.1C-T2 | ZENER DIODE | |
| D1703 | MTZJ5.6A-T2 | ZENER DIODE | |
| D1704-07 | 1SS133-T2 | SI. DIODE | |
| D1711 | 1SS133-T2 | SI. DIODE | |
| D1717-18 | MTZJ9.1C-T2 | ZENER DIODE | |
| D1751 | SLR-342VR3F | L. E. D. | |
| D1804 | MTZJ5.1B-T2 | ZENER DIODE | |
| D1805 | 1SS133-T2 | SI. DIODE | |
| △ D1911 | D35B60 | BRIDGE DIODE | |
| D1941-44 | 1SR35-400A-T2 | SI. DIODE | |
| D1951 | MTZJ12C-T2 | ZENER DIODE | |
| D1953 | 1SR35-400A-T2 | SI. DIODE | |
| D1957-58 | 1SS133-T2 | SI. DIODE | |
| TRANSISTOR | | | |
| Q1101 | 2SC5083/L-P/-T | SI. TRANSISTOR | |
| Q1131-32 | 2SC2412K/QR/-X | SI. TRANSISTOR | |
| Q1161 | 2SC2412K/QR/-X | SI. TRANSISTOR | |

| Symbol No. | Part No. | Part Name | Description |
|-------------------|-----------------|--------------------|-----------------|
| TRANSISTOR | | | |
| Q1202-03 | 25C2412K/QR/-X | SI. TRANSISTOR | |
| Q1261 | 25C2412K/QR/-X | SI. TRANSISTOR | |
| Q1271 | 25C2412K/QR/-X | SI. TRANSISTOR | |
| Q1361 | 25C2412K/QR/-X | SI. TRANSISTOR | |
| Q1371-73 | 25C4544-LB | SI. TRANSISTOR | |
| Q1521 | 25C2655/Y/-T | SI. TRANSISTOR | |
| △ Q1522 | 25D1878-YD | SI. TRANSISTOR | H. OUT |
| Q1561 | 25C2785/JH/-T | SI. TRANSISTOR | |
| Q1562 | 25A933AS/QR/-T | SI. TRANSISTOR | |
| Q1602 | DTC323TK-X | DIGI. TRANSISTOR | |
| Q1651-54 | 25C2412K/QR/-X | SI. TRANSISTOR | |
| Q1655 | 25A1037AK/QR/-X | SI. TRANSISTOR | |
| Q1701-03 | 25C2412K/QR/-X | SI. TRANSISTOR | |
| Q1704 | DTC323TK-X | DIGI. TRANSISTOR | |
| Q1951 | 25C2412K/QR/-X | SI. TRANSISTOR | |
| Q1952 | 25A966/OY/-T | SI. TRANSISTOR | |
| Q1953 | 25C2412K/QR/-X | SI. TRANSISTOR | |
| IC | | | |
| IC1001 | AN7805F | I. C. (MONO-ANA) | |
| IC1201 | TA1242N | I. C. (MONO-ANA) | |
| IC1251 | BA7612N | I. C. (MONO-ANA) | |
| △ IC1421 | LA7830 | I. C. (MONO-ANA) | |
| IC1541 | AN7809F | I. C. (MONO-ANA) | |
| △ IC1602 | LA4446 | I. C. (MONO-ANA) | |
| IC1651 | UPC1851BCU | I. C. (MONO-ANA) | |
| IC1652 | BA15218N | I. C. (MONO-ANA) | |
| IC1701 | M37272MA-313SP | I. C. (MICRO-COMP) | |
| IC1702 | AT24C02-20220S | I. C. | (SERVICE) |
| IC1703 | L78LR05E-MA | I. C. (MONO-ANA) | |
| IC1751 | GP1U281Q | IFR DETECT UNIT | |
| △ IC1921 | STR30134 | I. C. (H) | |
| IC1951 | TA78L009AP-T | I. C. (MONO-ANA) | |
| OTHERS | | | |
| CF1001 | LC30190-001B-A | LED HOLDER | |
| CF1131 | QAX0349-001 | CERAMIC FILTER | |
| CF1161 | CE41505-001 | CERAMIC FILTER | |
| CF1501 | SFSH4.5MCB | CERAMIC FILTER | |
| CF1701 | CSB503F30-T2 | CER. RESONATOR | |
| CF1702 | CST8.00MTW | CER. RESONATOR | |
| CL1001 | QAX0428-001 | CER. RESONATOR | |
| CL1002-03 | QZW0028-001 | WIRE CLAMP | |
| △ CN10PW | QMPD200-200-JC | POWER CORD | (Charcoal type) |
| △ F1901 | QMF0007-6R3J1 | FUSE | 6.3A |
| △ F1902 | QMF0007-1R25J1 | FUSE | 1.25A |
| FC1901 | CEMG002-001Z | FUSE CLIP | (x2) |
| FC1902 | CEMG002-001Z | FUSE CLIP | (x4) |
| △ FR1720 | QRZ9017-820 | F R | 82 Ω 1/4W J |
| J1003 | QNN0349-001 | PIN JACK | |
| J1004 | QNN0348-001 | PIN JACK | |
| J1005 | QNN0281-003 | PIN JACK | |
| J1006 | QNN0281-002 | PIN JACK | |
| J1007 | QNN0282-001 | PIN JACK | |
| J1602 | QNS0155-001 | JACK | |
| K1701 | QQR0582-001Z | BEADS CORE | |
| △ LF1901 | QQR0864-002 | LINE FILTER | |
| △ RV1901 | QSK0083-001 | RELAY | |
| S1751 | QSW0619-003Z | PUSH SWITCH | MENU |
| S1752 | QSW0619-003Z | PUSH SWITCH | CH- |
| S1753 | QSW0619-003Z | PUSH SWITCH | CH+ |
| S1754 | QSW0619-003Z | PUSH SWITCH | VOL- |
| S1755 | QSW0619-003Z | PUSH SWITCH | VOL+ |
| △ S1756 | QSW0619-003Z | PUSH SWITCH | POWER |
| SF1101 | CE42589-201 | SAW FILTER | |
| △ SK1371 | CE42535-001J1 | C. R. T. SOCKET | |
| △ TH1901 | CEKP007-002 | P. THERMISTOR | |
| △ TU1001 | QAU0199-001 | TUNER | |
| △ VA1901 | ERZV10V361CS | VARIATOR | |
| X1301 | QAX0310-001Z | CRYSTAL | |

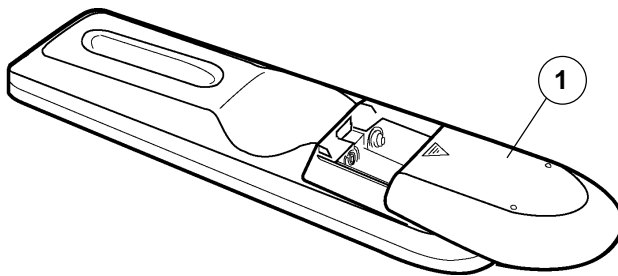
AV-20220
AV-20221

MAIN P.W. BOARD ASS'Y (SFV-1064A-M2) [AV-20221/S]

Regarding the parts list for the main PW board ass'y **SFV-1064A-M2**, only the different parts from those of the **SFV-1063A-M2** are described. For further details regarding the other parts, refer to the parts list for the **SFV-1063A-M2** described on page 36 through page 39.

| △ | Symbol No. | Parts No. | | Parts Name | Description |
|---|------------|-----------------------------------|--------------------------------|------------|-------------|
| | | AV-20220/s SFV-1063A-M2 | AV-20221/s SFV-1064A-M2 | | |
| △ | CN10PW | QMPD200-200-JC (Charcoal type) | QMPD209-200-JC (White type) | POWER CORD | |

REMOTE CONTROL UNIT PARTS LIST(RM-C307-1A/RM-C307W-1A)



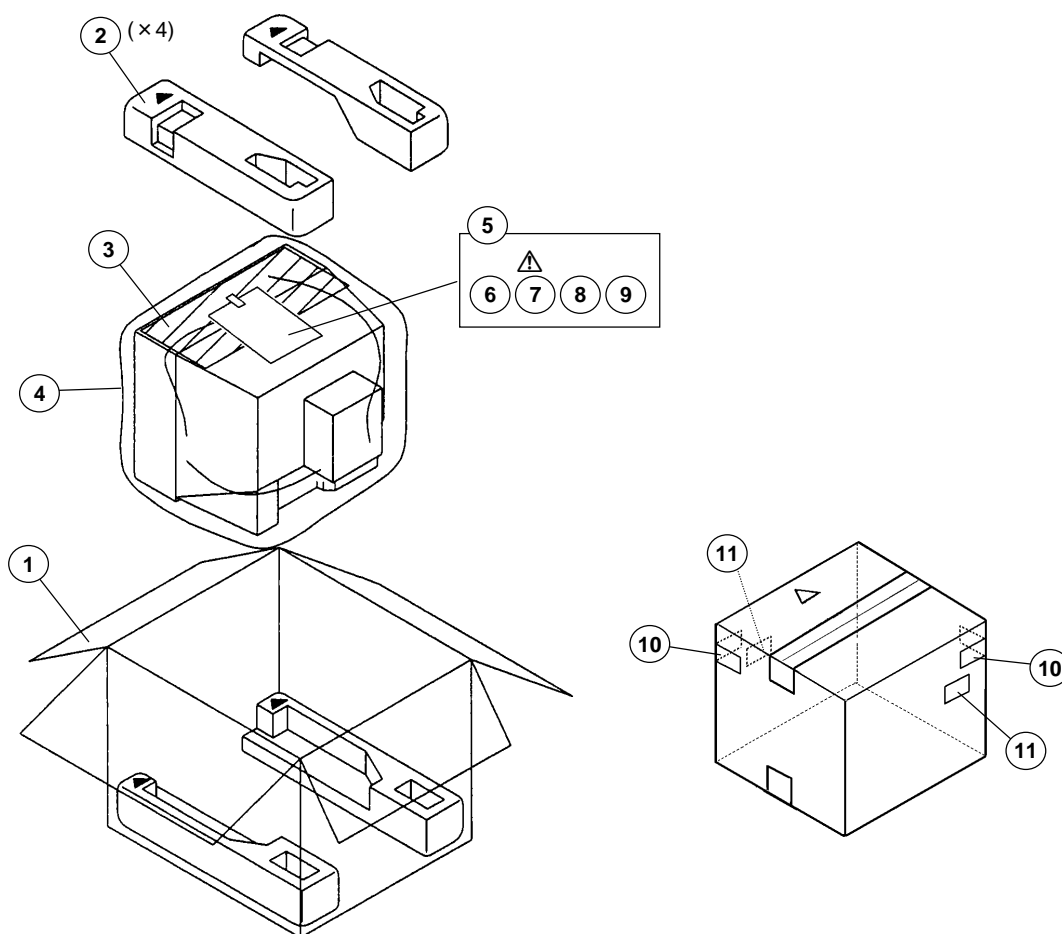
AV-20220/S Charcoal Model

| △ Ref.No. | Part No. | Part Name. | Description |
|-----------|-------------|---------------|--------------|
| 1 | UR52EC1286A | BATTERY COVER | (RM-C307-1A) |

AV-20221/S White Model

| | | | |
|---|-------------|---------------|---------------|
| 1 | UR52EC1286B | BATTERY COVER | (RM-C307W-1A) |
|---|-------------|---------------|---------------|

PACKING



PACKING PARTS LIST

AV-20220/S Charcoal Model

| △ Ref.No. | Part No. | Part Name | Description |
|-----------|----------------|---------------|-----------------|
| 1 | GQ10009-009A-A | PACKING CASE | |
| 2 | LC10116-002A-A | CUSHION ASSY | 4pcs in 1set |
| 3 | CP30055-001-A | TOP COVER | |
| 4 | CP30056-009-A | POLY BAG | |
| 5 | QPA02503505 | POLY BAG | |
| 6 | RM-C307-1A | REMOCON UNIT | [CHARCOAL TYPE] |
| △ 7 | LCT0948-001A-A | INST.BOOK | |
| 8 | BT-51020-1Q | REGISTER CARD | |
| 9 | BT-52004-1Q | WARRANTY CARD | |
| 10 | CM36616-001-A | CORNER LABEL | 2pcs in 1set |

AV-20221/S White Model

| | | | |
|-----|----------------|---------------|--------------|
| 1 | GQ10009-009A-A | PACKING CASE | |
| 2 | LC10116-002A-A | CUSHION ASSY | 4pcs in 1set |
| 3 | CP30055-001-A | TOP COVER | |
| 4 | CP30056-009-A | POLY BAG | |
| 5 | QPA02503505 | POLY BAG | |
| 6 | RM-C307W-1A | REMOCON UNIT | [WHITE TYPE] |
| △ 7 | LCT0948-001A-A | INST.BOOK | |
| 8 | BT-51020-1Q | REGISTER CARD | |
| 9 | BT-52004-1Q | WARRANTY CARD | |
| 10 | CM36616-001-A | CORNER LABEL | 2pcs in 1set |
| 11 | GQ40012-001A-A | WHITE MARK | (x2) |

AV-20220
AV-20221

